

User Guide

Elcometer 138

Bresle Kit & Patches

CONTENTS

Section	Page
1 Overview	en-2
2 Box Contents	en-2
3 Test Procedure: ISO 8502-6 / ISO 8502-9	en-3
4 Test Procedure: US Navy PPI 63101-000	en-5
5 Using the Conductivity Meter	en-7
6 Care & Maintenance	en-12
7 Technical Specification	en-13
8 Spares & Accessories	en-14
9 Legal Notices & Regulatory Information	en-15



For the avoidance of doubt, please refer to the original English language version.

Kit Dimensions: 346 x 292 x 84mm (13.6 x 11.5 x 3.3")

Kit Weight: 1.1kg (2lb 7oz)

Material Safety Data Sheets for the Elcometer 138 Standard Calibration Solutions are available to download via our website:

http://www.elcometer.com/images/stories/MSDS/elcometer_138_b771_calibration_solution.pdf

http://www.elcometer.com/images/stories/MSDS/Calibration_Solution_T13827352-1_to_T13827352-3_EU.pdf

http://www.elcometer.com/images/stories/MSDS/Calibration_Solution_T13827352-1_to_T13827352-3_Americas.pdf

© Elcometer Limited 2009-2016. All rights reserved. No part of this document may be reproduced, transmitted, transcribed, stored (in a retrieval system or otherwise) or translated into any language, in any form or by any means (electronic, mechanical, magnetic, optical, manual or otherwise) without the prior written permission of Elcometer Limited.

1 OVERVIEW

The Elcometer 138 Bresle Kit and Patches provides all the materials and equipment required to determine the surface chloride contamination level.

Chloride salts are extracted from the surface using the Bresle Patch method and the chloride content of the test solution is measured using a conductivity meter.

These instructions incorporate two test methods:

- ISO 8502-6 / ISO8502-9
- US NAVY PPI 63101-000 (Rev 27)

The Elcometer 138 Bresle Kit and Patches can also be used in accordance with ISO 8502-11; AS 3894.6-A and SSPC Guide 15.

For IMO PSPC^a, the surface salts should be measured and recorded. The Elcometer 138 Bresle Kit and Patches can be used for this.

2 BOX CONTENTS

- Elcometer 135B Bresle Patch, Pack of 25 or;
Elcometer 135C Bresle Test Patch, Pack of 25
(depending on kit ordered)
- Elcometer 138 Conductivity Meter & Sensor
- Standard Calibration Solution 1.41 mS/cm; 14ml (0.47 fl oz)
- Moistening Solution; 14ml (0.47 fl oz)
- Bottle of Pure Distilled Water; 250ml (8.5 fl oz)
- Syringes, 5ml (0.17 fl oz); x3
- Needles (Blunt); x3
- Plastic Beaker; 30ml (1 fl oz)
- CR2032 Lithium Batteries; x2
- Transit Case
- User Guide

Note: The Elcometer 138 Conductivity Meter included in the test kit measures the conductivity of aqueous solutions. The meter is NOT designed to measure solids, organic solvents, surfactant, oil, adhesive, alcohol, strong acids (pH: 0 to 2) or strong alkalis (pH: 12 to 14). The life of the sensor will be extremely short if these substances are measured.

^a International Maritime Organisation, Performance Standard for Protective Coatings.

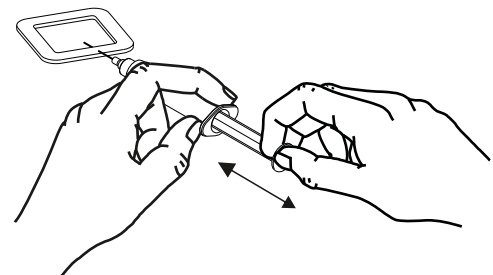
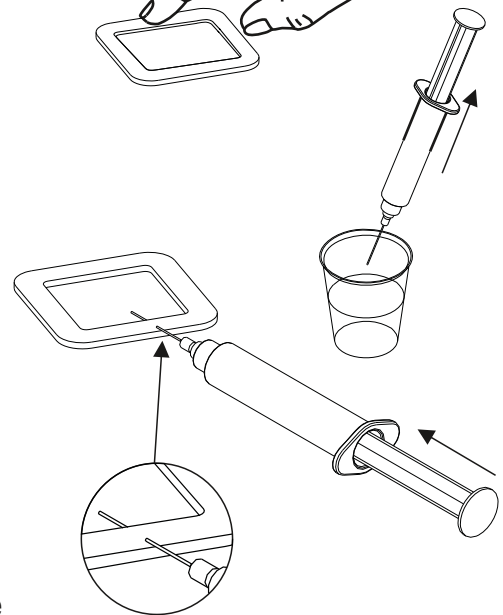
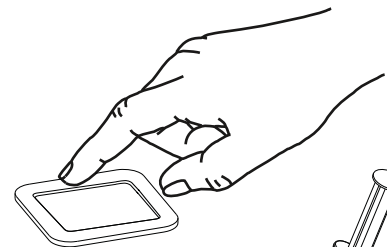
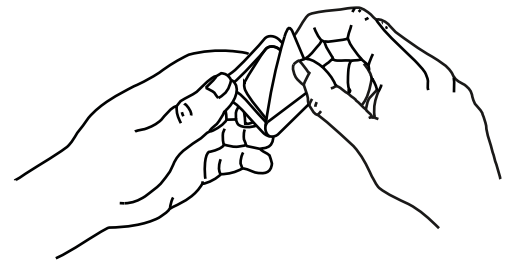
3 TEST PROCEDURE: ISO 8502-6 / ISO 8502-9

3.1 BEFORE YOU START

- 1 Calibrate the conductivity meter, see Section 5.5 on page en-10.
- 2 As the test is extremely sensitive, clean latex or nitrile gloves should be worn during the extraction of soluble salts to prevent contamination of the surface.

3.2 TEST PROCEDURE

- 1 Remove the printed protective backing and foam centre from the Bresle patch.
- 2 Apply the patch to the surface pressing firmly around the perimeter of the patch to ensure a complete seal. If using the Elcometer 135C Bresle Test Patch, remove the clear protective film cover using the orange tab.
- 3 Fill a syringe with 3ml of pure water.
- 4 Insert the syringe into the patch through the spongy foam perimeter at an angle of approximately 30° to the test surface so that it passes through the foam into the compartment formed by the elastomer film and the test surface. If the patch is positioned in a difficult position bend the needle as required.
- 5 Inject the pure water into the patch. Do not remove the needle.
 - ▶ If necessary, any air can be evacuated into the syringe and allowed to stay above the water in the syringe. Take care not to re-insert the air during steps 6 and 7.
- 6 During a suitable period of time^b, without removing the needle, suck and re-inject the solution at least four times^c.



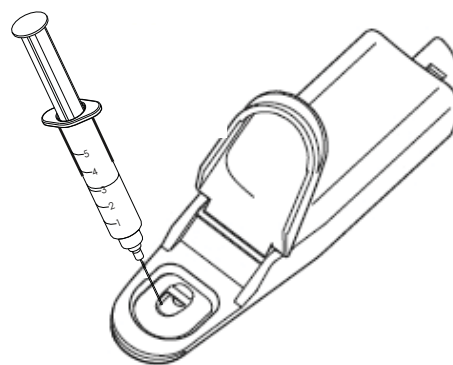
^b On un-pitted blast-cleaned areas, a period of 10 minutes has been found to be satisfactory, though this time should be agreed by the interested parties.

^c During steps 6 and 7, it is essential that no solution is lost. If any solution is lost, the test shall be rejected.

3 TEST PROCEDURE: ISO 8502-6 / ISO 8502-9 (continued)

7 At the end of the period, extract as much solution as possible and remove the syringe from the patch^c.

8 Measure the conductivity of the solution using the Elcometer 138 Conductivity Meter, see Section 5.6 on page en-11. Inject the sample directly into the sensor cell. Rinse the sensor cell several times with the solution to be measured before taking the reading.



3.3 AFTER TEST

1 Record the temperature of the solution.

2 Remove the patch from the surface and clean the surface. If required, any adhesive residue from the patch left on the test surface can be removed by wiping with a cloth moistened with a suitable solvent. Ensure that the solvent will not damage the surface before use.

3 Rinse all components of the test kit, other than the patch, in fresh, pure water. The components can then be used again.

3.4 TO CALCULATE THE SURFACE DENSITY OF SALTS

Multiply the reading by one of the following factors:

	Surface Density of Salts: Factors ^d			
	ISO Salt Mix		IMO PSPC equivalent NaCl	
Reading	mg/m ²	µg/cm ²	mg/m ²	µg/cm ²
µS/cm	x1.2	x0.12	x1.1	x0.11

Note: ISO 8502-9 allows for the measurement of the pure water before testing and then the subtraction of that value from that obtained in section 3.2 step 8 above.

^c During steps 6 and 7, it is essential that no solution is lost. If any solution is lost, the test shall be rejected.

^d Based on an area of 12.5cm² and a volume of 3ml.

4 TEST PROCEDURE: US NAVY PPI 63101-000

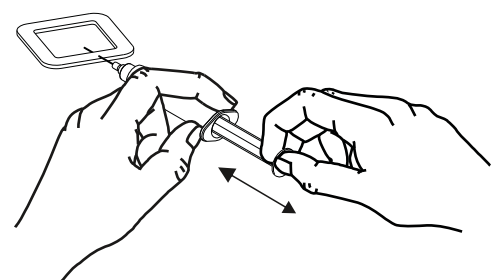
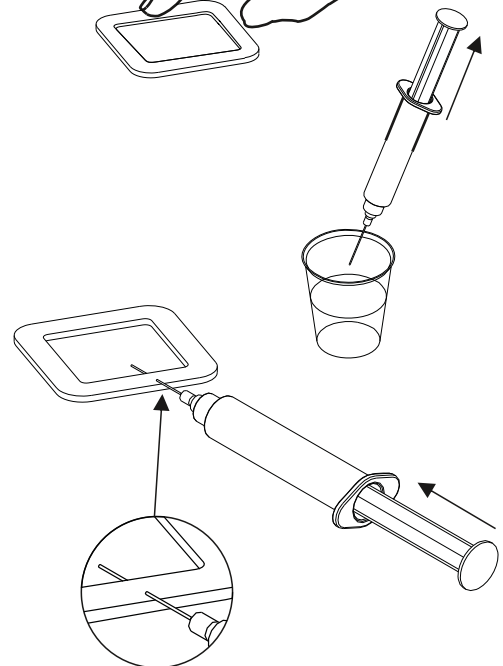
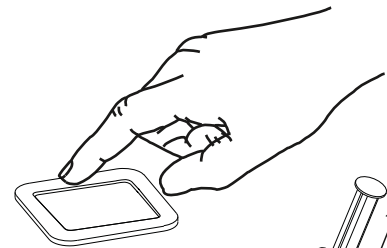
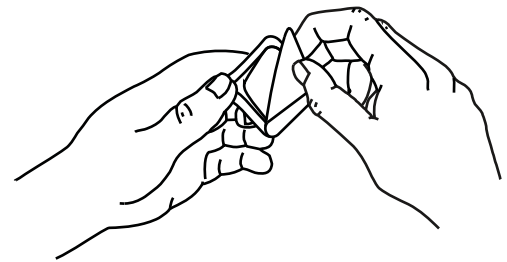
4.1 BEFORE YOU START

- 1 Calibrate the conductivity meter, see Section 5.5 on page en-10.
- 2 As the test is extremely sensitive, clean latex or nitrile gloves should be worn during the extraction of soluble salts to prevent contamination of the surface.

4.2 TEST PROCEDURE

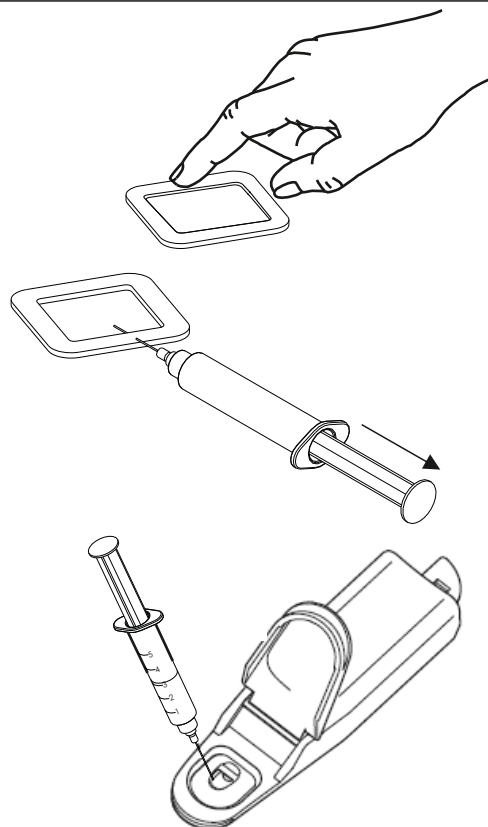
Measurements are to be made randomly over the prepared surface. Five measurements should be taken every 90m² (1000ft²). Five measurements should be taken for areas less than 90m² (1000ft²).

- 1 Remove the printed protective backing and foam centre from the Bresle patch.
- 2 Apply the patch to the surface pressing firmly around the perimeter of the patch to ensure a complete seal. If using the Elcometer 135C Bresle Test Patch, remove the clear protective film cover using the orange tab.
- 3 Fill a syringe with 3ml of pure water.
- 4 Insert the syringe into the patch through the spongy foam perimeter and inject 1.5ml of pure water into the patch. Do not remove the syringe.
- 5 With the syringe still in the patch, reposition the needle and evacuate any air in the patch.
- 6 Once the air has been removed, inject the remaining 1.5ml of pure water.
- 7 Remove the syringe from the patch.



4 TEST PROCEDURE: US NAVY PPI 63101-000 (continued)

- 8 Rub the surface of the patch gently for 10 to 15 seconds to allow the water to dissolve surface contaminants.
- 9 Insert the syringe into the patch through the spongy foam perimeter and extract the solution from the patch.
- 10 Measure the conductivity of the solution using the Elcometer 138 Conductivity Meter, see Section 5.6 on page en-11. Inject the sample directly into the sensor cell. Rinse the sensor cell several times with the solution to be measured before taking the reading.



4.3 AFTER TEST

- 1 Record the temperature of the solution.
- 2 Remove the patch from the surface and clean the surface. If required, any adhesive residue from the patch left on the test surface can be removed by wiping with a cloth moistened with a suitable solvent. Ensure that the solvent will not damage the surface before use.
- 3 Rinse all components of the test kit, other than the patch, in fresh, pure water. The components can then be used again.

4.4 PASS / FAIL CRITERIA

For immersed applications, conductivity due to soluble salts (total ionic) shall not exceed $30\mu\text{S}/\text{cm}$.

For non-immersed applications, conductivity due to soluble salts shall not exceed $70\mu\text{S}/\text{cm}$.

Note: The charts produced by the US Navy for the calculation of chloride levels are not required for this test method. Please contact Elcometer or your local Elcometer supplier if you require a copy of these charts.

5 USING THE CONDUCTIVITY METER

5.1 CAUTION

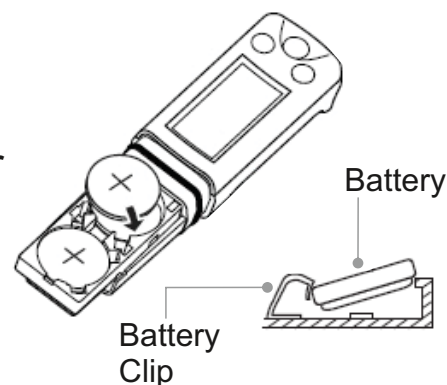
- Do not drop the conductivity meter.
- Never apply undue force when opening the meter (to change the batteries or sensor).
- Do not exert undue force on the sensor.
- Do not allow utensils (tweezers, pipette, etc) to touch sensor cell.
- Do not measure samples hotter than 40°C (105°F)
- Do not allow contact with solvents.
- Do not subject the conductivity meter to high temperature or humidity.
- Although the product is waterproof, avoid immersing it completely. If the meter is accidentally dropped in water, take it out and remove the moisture.

5.2 FITTING THE BATTERIES

The Elcometer 138 Conductivity Meter uses dry cell batteries only. Two CR2032 lithium batteries are supplied in the kit.

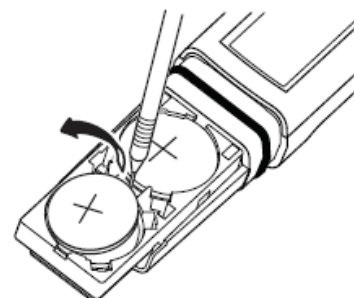
To fit or replace the batteries:

- 1 Place batteries in battery clips ensuring correct polarity.
- 2 To reassemble the meter, slide the sensor onto the body of the meter and push the body and sensor together gently until sensor retaining clip engages.



When the battery voltage becomes low, the low battery warning indicator will flash. Replace both batteries immediately.

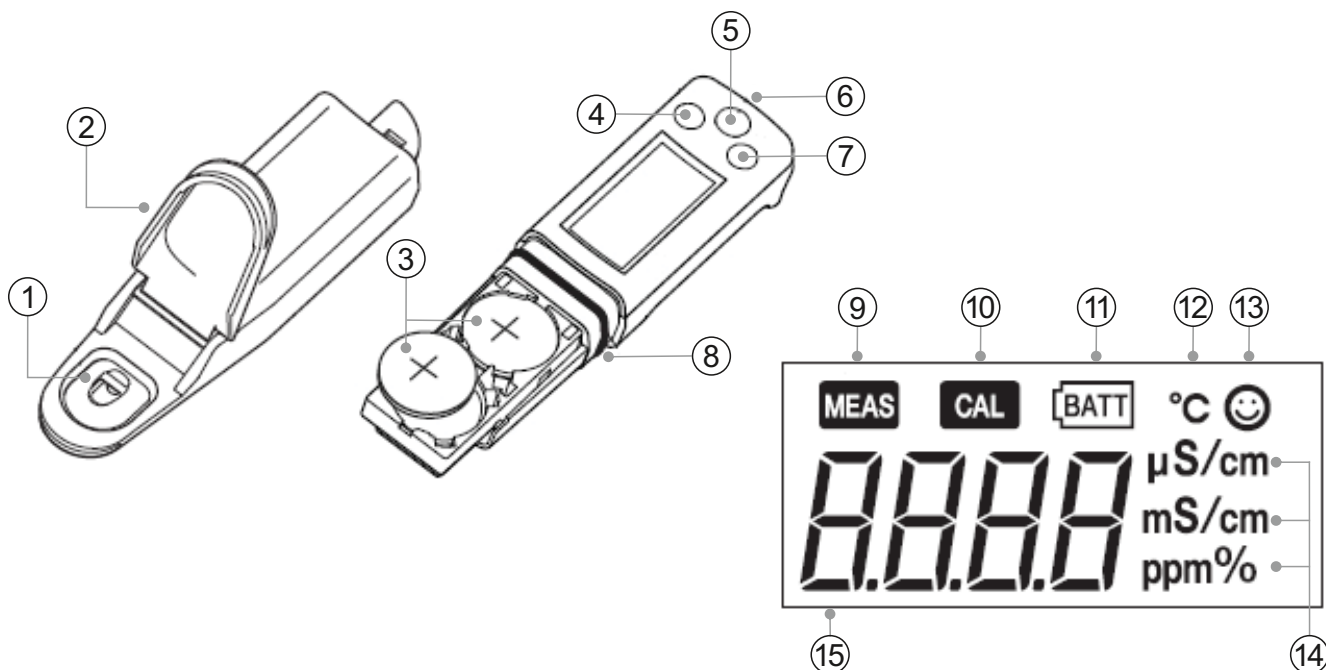
*Note: Lithium batteries must be disposed of carefully to avoid environmental contamination. Please consult your local Environmental Authority for information on disposal in your region. **Do not dispose of any batteries in fire.***



5 USING THE CONDUCTIVITY METER (continued)

5.3 CONTROLS AND DISPLAY

The Elcometer 138 Conductivity Meter is operated using 3 buttons and displays readings and other information on the LCD screen.



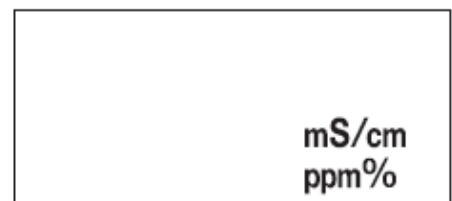
GUIDE TO CONDUCTIVITY METER & DISPLAY INDICATORS		
1	Measurement Cell	Place a liquid sample in this cell to measure it with the electrode located on the bottom of the cell.
2	Protection Cover	Protects the measurement cell and flat sensor in storage.
3	Lithium Batteries	CR2032 x 2
4	MEAS Button	Switches the calibration mode to the measurement mode, activates / deactivates the reading locking function in the measurement mode and starts / applies settings in the special setting mode.
5	ON/OFF Button	Turns the meter On / Off.
6	Strap Eyelet	A strap can be attached here.
7	CAL Button	Starts calibration and switches items / settings in the special setting mode.
8	Waterproof Gasket	Makes the meter waterproof.

5 USING THE CONDUCTIVITY METER (continued)

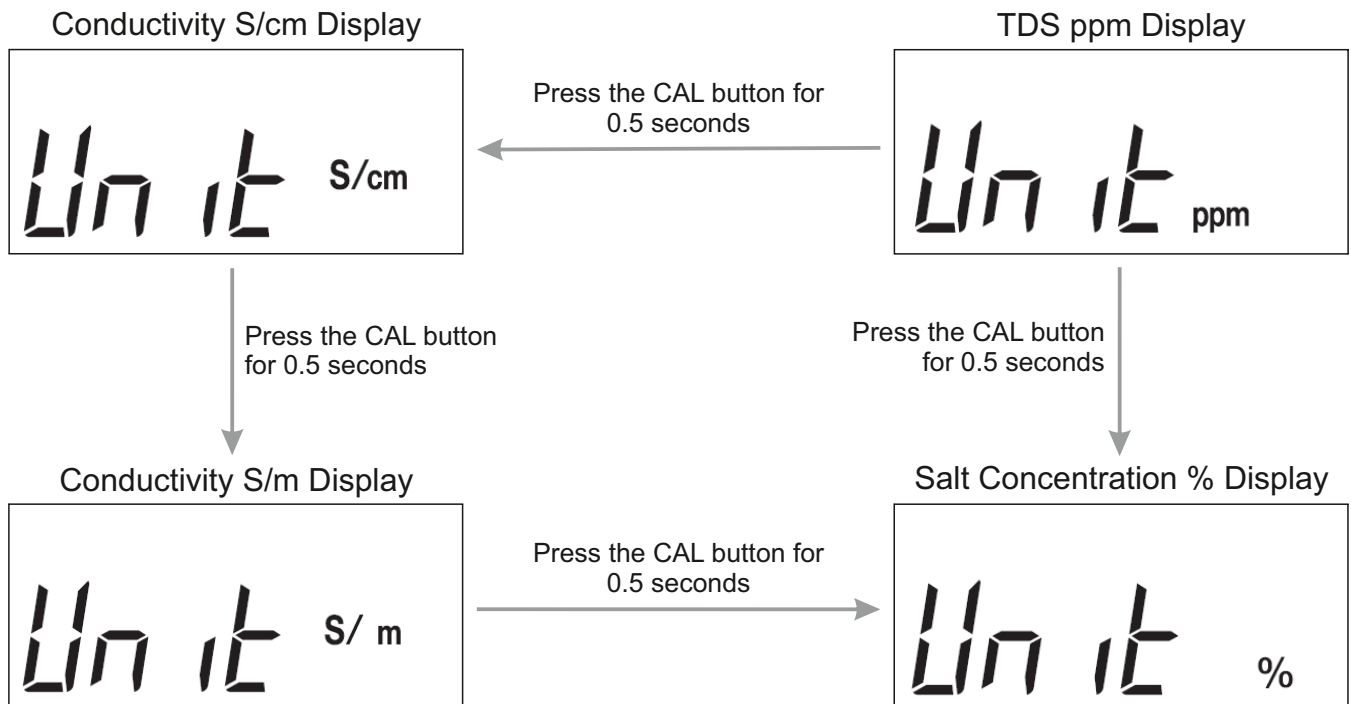
GUIDE TO CONDUCTIVITY METER & DISPLAY INDICATORS		
9	MEAS Icon	Flashes until the measured value is stabilised and illuminates steadily when the measured value is settled, while the reading locking function is active.
10	CAL Icon	Flashes during calibration and illuminates steadily when calibration is finished.
11	Battery Alarm Icon	Illuminates when the batteries are low and need to be replaced.
12	Temperature Alarm Icon	Flashes when the measuring environment temperature does not meet the specified operating temperature of 5°C to 40°C (41°F to 105°F).
13	Stability Icon	Illuminates when measured value is stabilised.
14	Measurement Unit Display	A unit symbol illuminates corresponding to the value displayed on the measured value display (15). The default setting is 'S/cm'.
15	Measured Value Display	Displays a measured, set and status value.

5.4 SETTING THE MEASUREMENT UNITS

- 1 Press and hold the **MEAS** button for over 3 seconds in the measurement mode to enter the special setting mode. All items appear on the LCD then the display changes as shown.
- 2 Press the **MEAS** button for 0.5 seconds. The current setting is displayed.
- 3 Press the **CAL** button for 0.5 seconds to change the setting. Pressing the **CAL** button continuously changes the settings sequentially (see diagram on page en-10).
- 4 Press the **MEAS** button to apply the setting. The instrument returns to measurement mode.

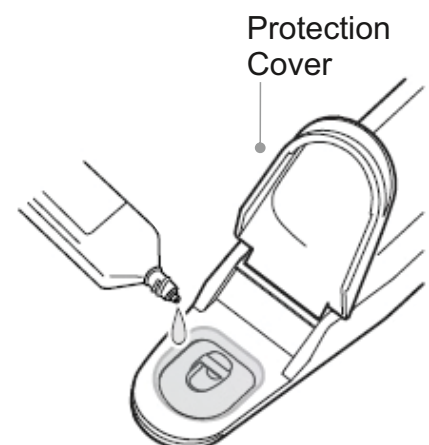
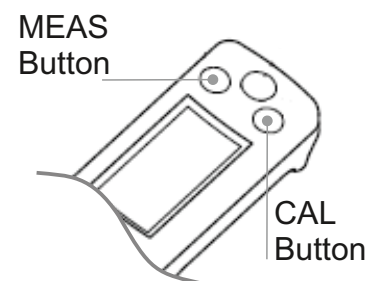


5 USING THE CONDUCTIVITY METER (continued)



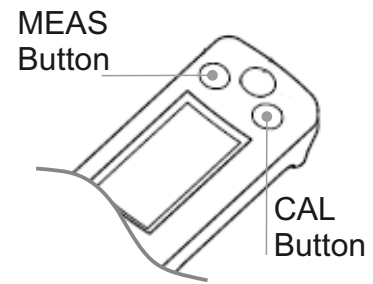
5.5 ONE-POINT CALIBRATION

- 1 To set 'One-point calibration', switch the meter on, press and hold the **MEAS** button for 3 seconds. Press the **CAL** button until **CAL** appears.
- 2 Press the **MEAS** button again for 0.5 seconds and the calibration type will be displayed (1 or 2). Press the **CAL** button to change the setting to 1 as required and press **MEAS** again to apply the setting.
- 3 Open the protection cover and place some drops of the 1.41mS/cm standard solution into the measurement cell. Washing the sensor with standard solution beforehand may provide more accurate calibration.



5 USING THE CONDUCTIVITY METER (continued)

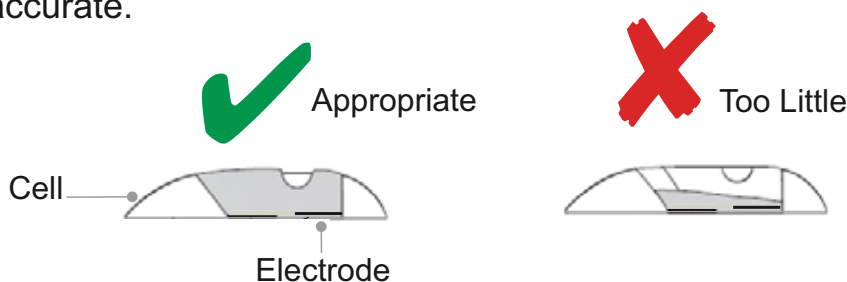
- 4 Close the protection cover and press the **CAL** button for over 2 seconds. **CAL** and ☺ flash and the calibration value is displayed. After the calibration is completed, **CAL** and ☺ stop flashing and illuminate steadily.
- 5 Clean the sensor with tap water and remove moisture.
- 6 Press the **MEAS** button for 0.5 seconds to enter the measurement mode and prepare for measurement.



Note: The Elcometer 138 Conductivity Meter has a two-point calibration mode. For details, see the full Elcometer 138 operating instructions which is available to download via our website. The two-point calibration mode requires two standard solutions.

5.6 TAKING A READING

- 1 Press the ON/OFF button to switch the meter on.
- 2 Open the protection cover and place drops of the sample on to the sensor.
 - ▶ Put an appropriate amount of the test sample into the measurement cell avoiding the inclusion of bubbles. Bubbles in the solution may cause the conductivity measurement to be inaccurate.



- 3 Close the protection cover.
 - ▶ Ambient air may cause the measurement values to fluctuate. To reduce environmental interference, close the protection cover.

Without using the reading locking function:

- 4 Read the value displayed when ☺ appears.



5 USING THE CONDUCTIVITY METER (continued)

When using the reading locking function[°]:

- 4 After ☺ appears, press the **MEAS** button for 0.5 seconds. The reading locking function is activated. **MEAS** flashes until the measured value is stabilised. When the measured value is stable, **MEAS** stops flashing and the displayed value is locked with **MEAS** and ☺ illuminated steadily.
- 5 Read the displayed value.
- 6 Press the **MEAS** button for 0.5 seconds. The reading locking function is deactivated and **MEAS** disappears.



Note: If a measurement result is out of the specified measurement range, the displayed measured value flashes.

5.7 AFTER MEASUREMENT

- 1 Press the ON/OFF button to switch the meter off.
- 2 Wash the sensor with tap water and wipe away any residual water using a clean tissue.
- 3 Replace the sensor protection cap.

Note: If the meter is to remain unused for a long period of time, use pure water instead of tap water to wash the sensor.

6 CARE & MAINTENANCE

The Elcometer 138 Conductivity Meter is designed to give many years reliable service under normal operating conditions.

- Prolonged periods of non-use may cause the sensor to dry out. This can result in malfunction or unstable readings. Pour moistening solution into the sensor cell and leave for a few minutes to allow the sensor to become saturated. Wash the sensor with water prior to use.
- If the measuring surface of the sensor is contaminated or if air bubbles are regularly present in the sample, clean the sensor using a diluted neutral detergent (diluted 100 times).

[°] When using the reading locking function, deactivate the function before starting every measurement.

6 CARE & MAINTENANCE (continued)

- The Elcometer 138 Conductivity Meter incorporates a Liquid Crystal Display. If the display is heated above 50°C (120°F) it may be damaged. This can happen if the conductivity meter is left in a car parked in strong sunlight.
- Always store the components of the Elcometer 138 Bresle Kit and Patches in the carrying case when the kit is not being used.

The Elcometer 138 Conductivity Meter does not contain any user-serviceable components. In the unlikely event of a fault, the meter should be returned to your local Elcometer supplier or directly to Elcometer Limited - contact details can be found on our website, www.elcometer.com. The warranty will be invalidated if the instrument has been opened.

7 TECHNICAL SPECIFICATION

7.1 BRESLE PATCH	
Patch Size	5cm x 5cm
Test Area	12.5cm ²
Sample Volume	3ml

7.2 CONDUCTIVITY METER		
Measurement Principle	2 AC Bipolar Method	
Measurement Mode	Conductivity	
Conductivity Range & Repeatability	0 - 199µS/cm	±5µS/cm
	0.2 - 1.99mS/cm	±0.05mS/cm
	2 - 19.9mS/cm	±0.5mS/cm
Display	Liquid Crystal Display (LCD); 2½ digits	
Measurement Temperature	5°C to 40°C (41°F to 105°F)	
Dimensions	164 x 29 x 20mm (6.5 x 1.1 x 0.79")	
Weight	47g (1.7 oz) - including batteries	
Battery Type	2 x CR2032 lithium	

8 SPARES & ACCESSORIES

The Elcometer 138 Bresle Kit is complete with all the items required to get started and take measurements however, over the life of the kit, replacements may be required. The following items are available from Elcometer or your local Elcometer supplier.

8.1 ELCOMETER 138 CALIBRATION SOLUTIONS

Description	Part Number
Standard 1.41 mS/cm (1410 µS/cm) Calibration Solution; 6 x 14ml (0.47fl oz) Bottles	T13823926
Standard 12.9 mS/cm (12900 µS/cm) Calibration Solution; 6 x 14ml (0.47fl oz) Bottles	T13824404
Standard 447 µS/cm (0.447 mS/cm) Calibration Solution; 4 x 20ml (0.74fl oz) Single Use Pouches	T13827352-1
Standard 1413 µS/cm (1.413 mS/cm) Calibration Solution; 4 x 20ml (0.74fl oz) Single Use Pouches	T13827352-2
Standard 15000 µS/cm (15 mS/cm) Calibration Solution; 4 x 20ml (0.74fl oz) Single Use Pouches	T13827352-3

8.2 BRESLE PATCHES

Description	Part Number
Elcometer 135B Bresle Patch, Pack of 25	E135----B
Elcometer 135C Bresle Test Patch, Pack of 25	E135----C25
Elcometer 135C Bresle Test Patch, Pack of 100	E135----C100

8.3 MISCELLANEOUS ACCESSORIES

Description	Part Number
Elcometer 138 Conductivity Meter	T13823925
Replacement Sensor for Conductivity Meter	T13823928
Bottle of Pure Distilled Water; 250ml (8.5 fl oz)	T13827259
Syringes, 5ml (0.17 fl oz); x3	T13818517
Needles (Blunt); x3	T13818518
Plastic Beaker; 30ml (1 fl oz)	T13818519

9 LEGAL NOTICES & REGULATORY INFORMATION

This product meets the Electromagnetic Compatibility Directive.

This product is Class B, Group 1 ISM equipment according to CISPR 11.

Group 1 ISM product: A product in which there are intentionally generated and/or used conductively coupled radio-frequency energy which is necessary for the internal functioning of the equipment itself.

Class B product are suitable for use in domestic establishments and in establishments directly connected to a low voltage power supply network which supplies buildings used for domestic purposes.

elcometer® is a registered trademark of Elcometer Limited, Edge Lane, Manchester, M43 6BU.
United Kingdom

All other trademarks acknowledged.

The Elcometer 138 Bresle Kit and Patches is packed in a cardboard package. Please ensure that this packaging is disposed of in an environmentally sensitive manner. Consult your local Environmental Authority for further guidance.

CAUTION



The needles supplied for use with this kit are blunt, but care must be exercised when using and disposing of these needles to prevent accidental needle stick injuries. It is recommended that used needles be disposed of as special waste, and not in landfill.



If the standard solution used for calibration of the meter comes into contact with the skin, wash the skin with fresh water. If the standard solution comes into contact with eyes, immediately flush the eye with large amounts of fresh water and seek medical advice.



Guide d'utilisation

Elcometer 138

Kit & Patches de Bresle

SOMMAIRE

Section	Page	
1	Présentation	fr-2
2	Colisage	fr-2
3	Procédure de test : ISO 8502-6 / ISO 8502-9	fr-3
4	Procédure de test : US Navy PPI 63101-000	fr-5
5	Utilisation du conductivimètre	fr-7
6	Entretien & Maintenance	fr-12
7	Caractéristiques techniques	fr-13
8	Pièces de rechange et accessoires	fr-14
9	Informations légales et réglementaires	fr-15



En cas de doute, merci de vous référer à la version originale anglaise de ce manuel.

Dimensions du Kit : 346 x 292 x 84 mm (13.6 x 11.5 x 3.3")

Poids du Kit : 1.1 Kg (2lb 7oz)

Les fiches techniques sur la sécurité des matériaux pour les solutions de calibration standard de l'Elcometer 138 son téléchargeable sur notre site Internet :

http://www.elcometer.com/images/stories/MSDS/elcometer_138_b771_calibration_solution.pdf

http://www.elcometer.com/images/stories/MSDS/Calibration_Solution_T13827352-1_to_T13827352-3_EU.pdf

http://www.elcometer.com/images/stories/MSDS/Calibration_Solution_T13827352-1_to_T13827352-3_Americas.pdf

© Elcometer Limited 2009-2016. Tous droits réservés. Aucune partie de ce document ne peut être reproduite, transmise, transcrite, stockée (dans un système documentaire ou autre) ou traduite dans quelque langue que ce soit, sous quelque forme que ce soit ou par n'importe quel moyen (électronique, mécanique, magnétique, optique, manuel ou autre) sans la permission écrite préalable d'Elcometer Limited.

1 PRÉSENTATION

Le Kit de Patches de Bresle Elcometer 138 contient tous les éléments et équipements nécessaires pour déterminer le niveau de contamination d'une surface par les chlorures.

Les sels de chlorure sont prélevés sur la surface grâce à la méthode des Patches de Bresle, et la teneur en chlorures de la solution de test est mesurée à l'aide d'un conductivimètre.

Les présentes instructions contiennent deux méthodes de test :

- ISO 8502-6 / ISO8502-9
- US NAVY PPI 63101-000 (Rev 27)

Les Kit & Patches de Bresle peuvent également être utilisés conformément aux normes ISO 8502-11; AS 3894.6-A et SSPC Guide 15.

Pour IMOPSPC^a, les sels de surface doivent être mesurés et les valeurs enregistrées. Les Kit & Patches de Bresle peuvent être utilisés dans ce cadre.

2 COLISAGE

- Elcometer 135B Patches de Bresle, Lot de 25 ou;
Elcometer 135C Test Patch de Bresle, Lot de 25
(selon le kit commandé)
- Elcometer 138 Conductivimètre & Capteur
- Solution de Calibration Standard 1.41 mS/cm; 14 ml (0.47 fl oz)
- Solution de mouillage; 14 ml (0.47 fl oz)
- Flacon d'eau pure; 250 ml (8.5 fl oz)
- Seringues, 5 ml (0.17 fl oz); x 3
- Aiguilles (pointe émoussée); x 3
- Bécher Plastique; 30 ml (1 fl oz)
- Piles Lithium CR2032; x 2
- Valise de transport
- Guide d'utilisation

Note : Le conductivimètre Elcometer 138 inclus dans le test mesure la conductivité de solutions aqueuses. Il n'est PAS conçu pour mesurer des solides, des solvants organiques, des tensio-actifs, de l'huile, des colles, de l'alcool, des acides forts (pH : 0 à 2) ou des alcalis forts (pH : 12 à 14). La durée de vie du capteur se trouverait extrêmement réduite par la mesure de telles substances.

^a Organisation Maritime Internationale, Norme de Performance des Revêtements de Protection.

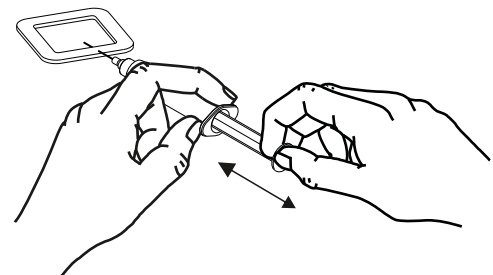
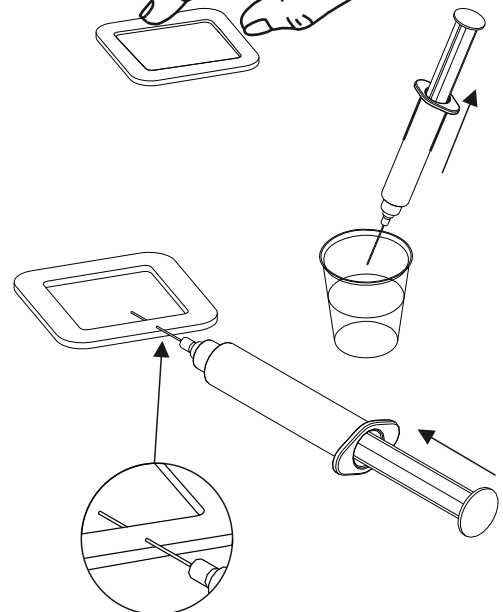
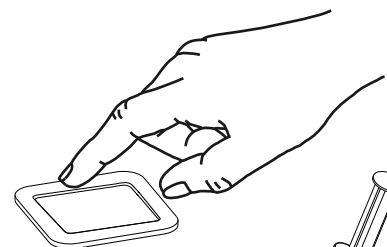
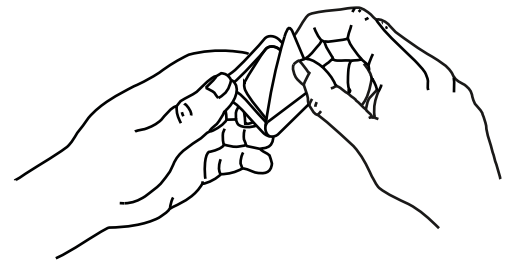
3 PROCÉDURE DE TEST : ISO 8502-6 / ISO 8502-9

3.1 AVANT DE COMMENCER

- 1 Calibrez le conductivimètre - Voir Section 5.5 en page fr-10.
- 2 Le test étant extrêmement sensible, il est recommandé de porter des gants en latex ou en nitrile pendant l'extraction des sels solubles pour éviter toute contamination de la surface.

3.2 PROCEDURE DE TEST

- 1 Retirez la protection imprimée et la partie centrale de la mousse au dos du patch de Bresle.
- 2 Appliquez le Patch sur la surface et appuyez fermement sur les contours du Patch pour garantir une parfaite étanchéité. Si vous utilisez le Test de Patch de Bresle Elcometer 135C, retirez le film de protection en utilisant la languette orange.
- 3 Remplissez une seringue de 3 ml d'eau pure.
- 4 Insérez la seringue à l'intérieur du patch à travers la bordure en mousse à un angle d'environ 30° de la surface de test; l'aiguille doit traverser la bordure en mousse et pénétrer dans le compartiment formé par le film élastomère et la surface de test.
- 5 Injectez l'eau pure dans le patch. Ne retirez pas l'aiguille.
 - ▶ Si nécessaire, l'air emprisonné peut être retiré à l'aide de la seringue (il peut rester au-dessus du niveau d'eau dans la seringue). Faites attention à ne pas ré-injecter cet air lors des étapes 6 et 7.
- 6 Sur une durée raisonnable^b, sans retirer l'aiguille, aspirez et ré-injectez la solution au moins quatre fois^c.

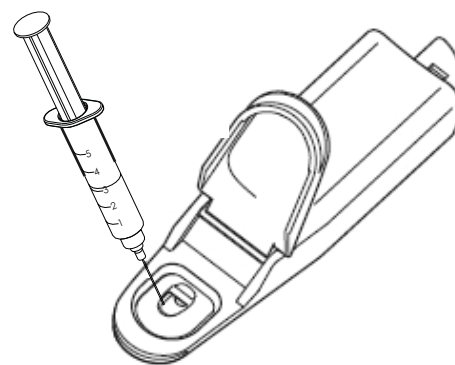


^b Sur une surface sablée non piquetée, l'expérience montre qu'une durée de 10 minutes est satisfaisante. Cependant, cette durée doit être convenue entre les parties intéressées.

^c Durant les étapes 6 et 7, il est primordial de ne pas perdre de solution. Si une quantité de solution est perdue, le test doit être rejeté.

3 PROCÉDURE DE TEST : ISO 8502-6 / ISO 8502-9 (suite)

- 7 A la fin de la durée convenue, aspirez autant de solution que possible et retirez la seringue du patch^c.
- 8 Mesurez la conductivité de la solution à l'aide du conductivimètre Elcometer 138 - Voir Section 5.6 en page fr-11. Injectez l'échantillon directement sur la cellule du capteur. Rincez la cellule du capteur à plusieurs reprises avec la solution à mesurer avant de prendre une mesure.



3.3 APRES LE TEST

- 1 Notez la température de la solution.
- 2 Retirez le patch de la surface et nettoyez la surface. Le cas échéant, les éventuels résidus de colle laissés par le patch peuvent être enlevés à l'aide d'un chiffon humidifié avec un solvant approprié. Assurez-vous que le solvant ne risque pas d'endommager la surface avant utilisation.
- 3 Rincez tous les composants du kit de test (à l'exception du patch) à l'eau pure et propre. Vous pouvez maintenant les ré-utiliser.

3.4 CALCULER LA DENSITE DE SURFACE DES SELS

Multipliez la valeur obtenue par l'un des facteurs suivants :

	Densité de surface des sels : Facteurs ^d			
	Mix de sel ISO		IMO PSPC équivalent NaCl	
Mesure	mg/m ²	µg/cm ²	mg/m ²	µg/cm ²
µS/cm	x1.2	x0.12	x1.1	x0.11

Note: ISO8502-9 permet la mesure de l' eau pure avant l'essai , puis la soustraction de cette valeur de celle obtenue à l' étape 8 dans la section 3.2 ci-dessus.

^c Durant les étapes 6 et 7, il est primordial de ne pas perdre de solution. Si une quantité de solution est perdue, le test doit être rejeté.

^d Sur la base d'une zone de 12,5 cm² et d'un volume de 3 ml.

4 PROCÉDURE DE TEST : US NAVY PPI 63101-000

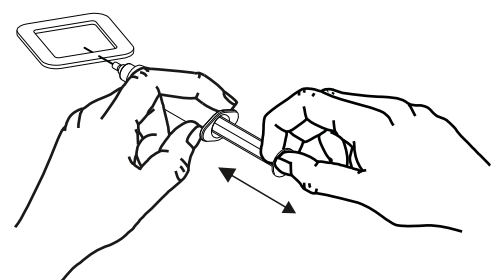
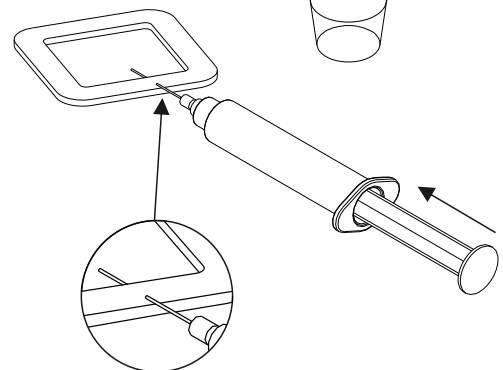
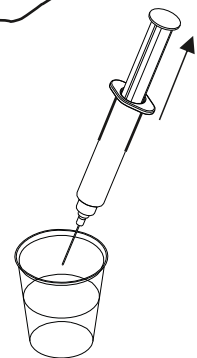
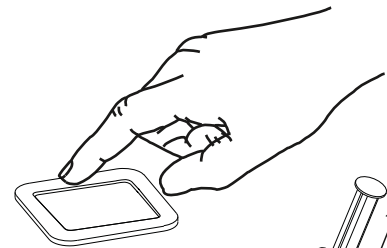
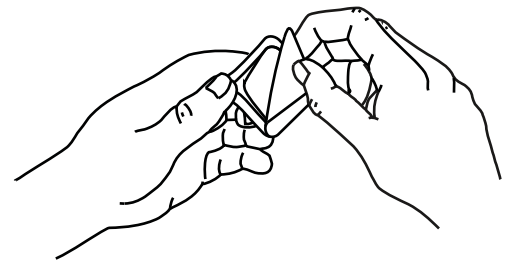
4.1 AVANT DE COMMENCER

- 1 Calibrez le conductivimètre - Voir Section 5.5 en page fr-10.
- 2 Le test étant extrêmement sensible, il est recommandé de porter des gants en latex ou en nitrile pendant l'extraction des sels solubles pour éviter toute contamination de la surface.

4.2 PROCEDURE DE TEST

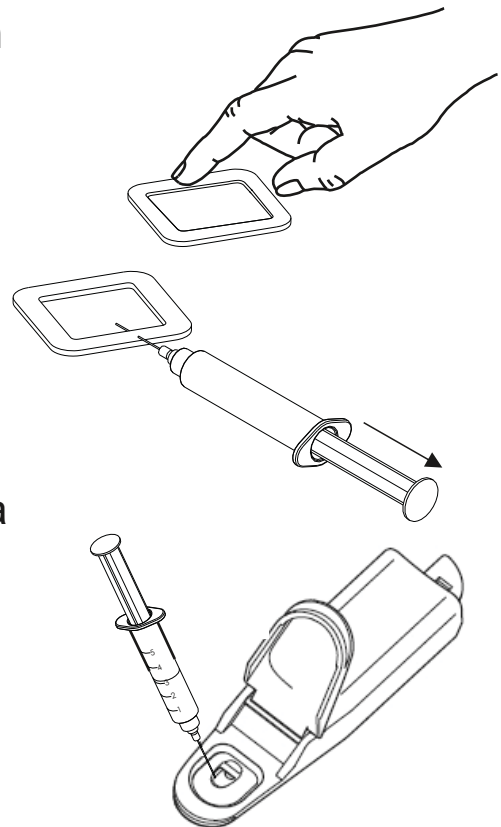
Les mesures doivent être prises de manière aléatoire sur la surface préparée. Il faut prendre 5 mesures tous les 90 m² (1000ft²). Pour les surfaces inférieures à 90 m² (1000ft²), il faut aussi prendre 5 mesures.

- 1 Retirez la protection imprimée et la partie centrale de la mousse au dos du patch de Bresle.
- 2 Appliquez le Patch sur la surface et appuyez fermement sur les contours du Patch pour garantir une parfaite étanchéité. Si vous utilisez le Test de Patch de Bresle Elcometer 135C, retirez le film de protection en utilisant la languette orange.
- 3 Remplissez une seringue de 3 ml d'eau pure.
- 4 Insérez la seringue à l'intérieur du patch à travers la bordure en mousse et injectez-y 1.5 ml d'eau pure. Ne retirez pas la seringue.
- 5 La seringue toujours en position dans le patch, bougez l'aiguille et retirez tout l'air contenu dans le patch.
- 6 Une fois l'air retiré, injectez les 1.5 ml d'eau pure restants.
- 7 Retirez la seringue du patch.



4 PROCÉDURE DE TEST : US NAVY PPI 63101-000 (suite)

- 8 Frottez doucement la surface du patch pendant 10 à 15 secondes pour permettre à l'eau de dissoudre les contaminants de surface.
- 9 Insérez la seringue à l'intérieur du patch à travers la bordure en mousse et aspirez la solution.
- 10 Mesurez la conductivité de la solution à l'aide du conductivimètre Elcometer 138 - Voir Section 5.6 en page fr-11. Injectez l'échantillon directement sur la cellule du capteur. Rincez la cellule du capteur à plusieurs reprises avec la solution à mesurer avant de prendre une mesure.



4.3 APRES LE TEST

- 1 Notez la température de la solution.
- 2 Retirez le patch de la surface et nettoyez la surface. Le cas échéant, les éventuels résidus de colle laissés par le patch peuvent être enlevés à l'aide d'un chiffon humidifié avec un solvant approprié. Assurez-vous que le solvant ne risque pas d'endommager la surface avant utilisation.
- 3 Rincez tous les composants du kit de test (à l'exception du patch) à l'eau pure et propre. Vous pouvez maintenant les ré-utiliser.

4.4 CRITERES ACCEPTE / REFUSE

Pour les applications immergées, la conductivité due aux sels solubles (total ionique) ne doit pas dépasser 30 $\mu\text{S}/\text{cm}$.

Pour les applications non immergées, la conductivité due aux sels solubles ne doit pas dépasser 70 $\mu\text{S}/\text{cm}$.

Note : les tableaux produits par l'US Navy pour le calcul des niveaux de chlorures ne sont pas nécessaires pour cette méthode. Contactez Elcometer ou votre revendeur Elcometer si vous souhaitez obtenir une copie de ces tableaux.

5 UTILISATION DU CONDUCTIVIMÈTRE

5.1 ATTENTION

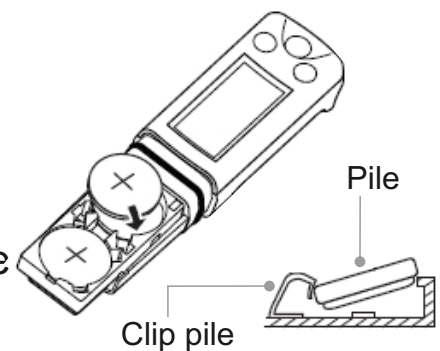
- Ne pas faire tomber le conductivimètre.
- Ne pas forcer pour ouvrir le conductivimètre (pour remplacer les piles ou le capteur).
- Ne pas forcer sur le capteur.
- Ne pas toucher la cellule du capteur avec un ustensile (pinces, pipette, etc).
- Ne pas mesurer des échantillons dont la température est supérieure à 40° C (105°F).
- Evitez tout contact avec les solvants.
- Ne pas exposer le conductivimètre à des températures élevées ou à l'humidité.
- Bien que l'instrument soit étanche, ne pas l'immerger complètement. Si l'appareil tombe accidentellement dans l'eau, retirez-le et enlevez l'humidité.

5.2 MISE EN PLACE DES PILES

Le conductivimètre Elcometer 138 fonctionne uniquement avec des piles sèches. Deux piles au lithium CR2032 sont fournies dans le kit.

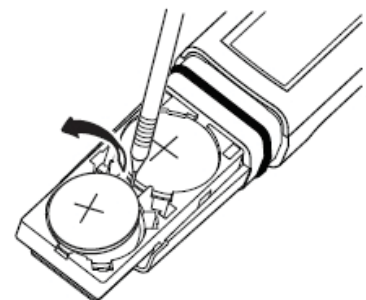
Pour installer ou remplacer les piles :

- 1 Placez les piles entre les clips en respectant la polarité.
- 2 Pour ré-assembler l'instrument, faites coulisser le capteur sur le corps de l'appareil, puis poussez doucement ensemble le corps et le capteur jusqu'à ce que le clip de maintien du capteur se déclenche.



Lorsque la tension des piles est faible, l'indicateur correspondant clignote. Remplacez alors immédiatement les deux piles.

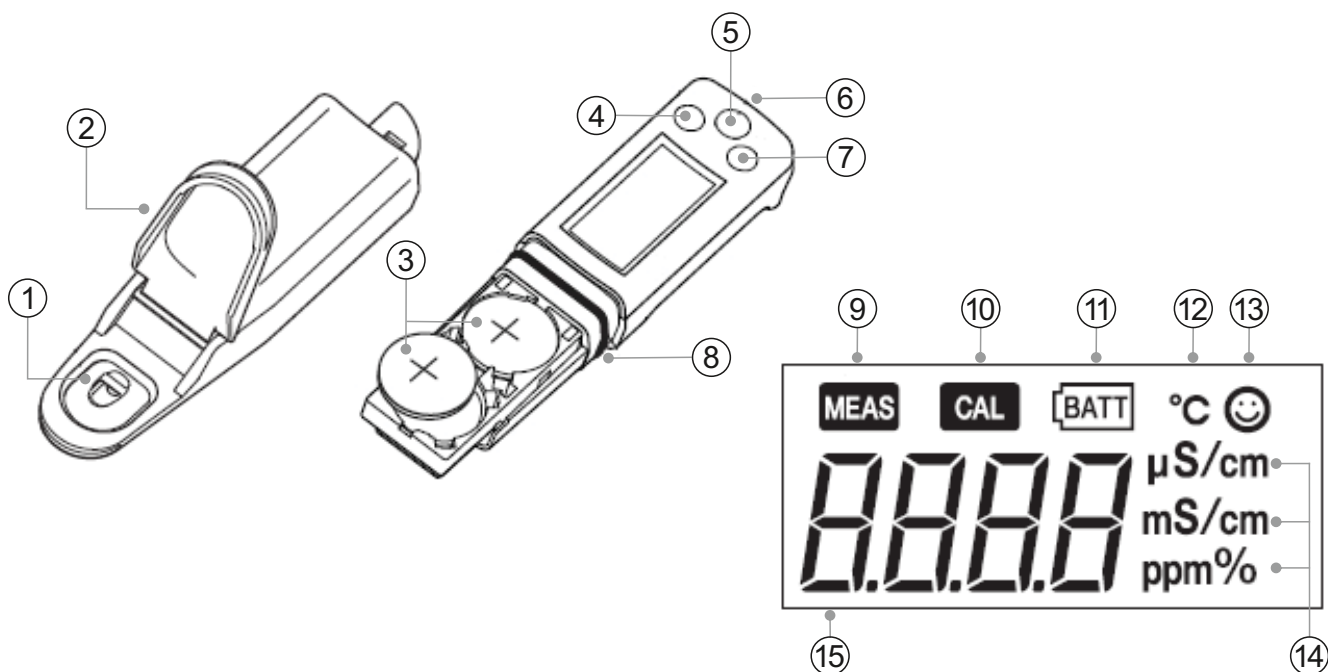
*Note : les piles au lithium doivent être éliminées avec précaution pour ne pas nuire à l'environnement. Pour connaître les consignes, contactez la déchetterie de votre localité. **Ne jetez pas les piles au feu.***



5 UTILISATION DU CONDUCTIVIMÈTRE (suite)

5.3 BOUTONS DE COMMANDE ET AFFICHAGE

Le conductivimètre Elcometer 138 fonctionne à l'aide de 3 touches et affiche les mesures et autres informations sur l'écran LCD.



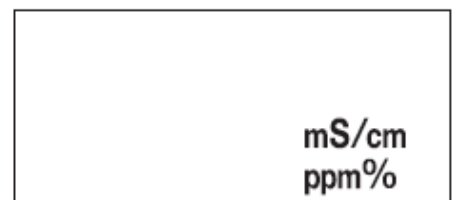
EXPLICATIONS CONDUCTIVIMETRE & ICONES D'AFFICHAGE		
1	Cellule de mesure	Placez le liquide échantillon dans cette cellule pour le mesurer grâce à l'électrode placée au bas de la cellule.
2	Couvercle de protection	Protège la mesure et le capteur pendant le stockage.
3	Piles Lithium	CR2032 x 2
4	Bouton MEAS (Mesure)	Permet de passer du mode calibration en mode mesure, active/désactive la fonction de verrouillage de la mesure en mode mesure et démarre/applique les réglages dans le mode 'réglages spéciaux'.
5	Bouton On/Off (marche/arrêt)	Permet d'allumer/éteindre l'instrument.
6	Ancrage dragonne	Permet de fixer une dragonne en ce point.
7	Bouton CAL	Démarre la calibration et permet de sélectionner les éléments/réglages en mode 'réglages spéciaux'.
8	Joint d'étanchéité	Assure l'étanchéité de l'instrument.

5 UTILISATION DU CONDUCTIVIMÈTRE (suite)

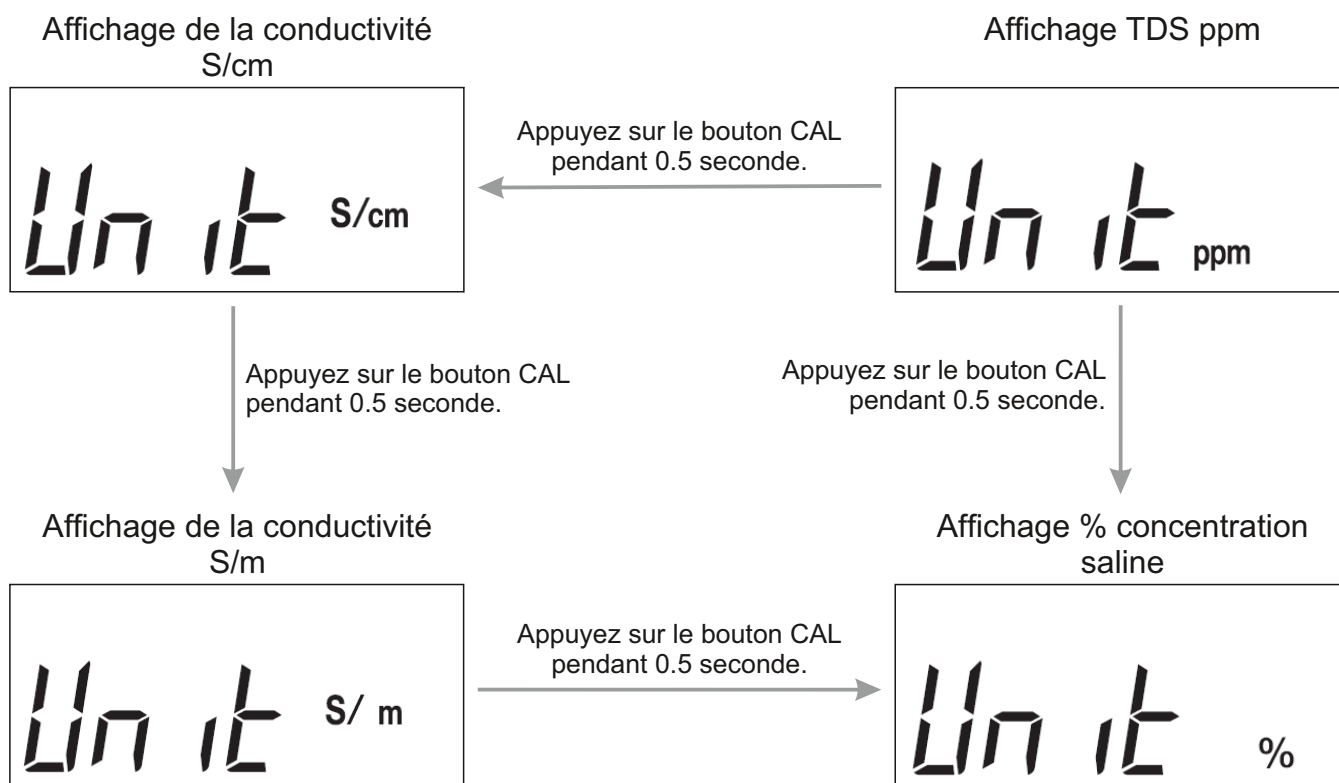
EXPLICATIONS CONDUCTIVIMETRE & ICONES D'AFFICHAGE		
9	Icône MEAS (Mesure)	Clignote jusqu'à stabilisation de la valeur mesurée, puis s'allume lorsque la valeur mesurée est fixe, pendant que la fonction 'verrouillage de la mesure' est active.
10	Icône CAL	Clignote pendant la calibration puis s'allume lorsque la calibration est terminée.
11	Icône Alarme Batterie	S'allume lorsque les piles sont faibles et doivent être remplacées.
12	Icône Alarme Température	Clignote lorsque la température ambiante est en dehors des spécifications de fonctionnement comprises entre 5°C et 40°C (41°F et 105°F).
13	Icône de stabilité	S'allume lorsque la mesure est stable.
14	Ecran Unité de mesure	Un symbole d'unité de mesure s'affiche correspondant à la valeur affichée sur l'écran 'valeur mesurée' (15). Par défaut, l'unité sélectionnée est 'S/cm'.
15	Ecran Valeur mesurée	Affiche une valeur mesurée, définie et de statut.

5.4 DEFINIR L'UNITE DE MESURE

- 1 Appuyez et maintenez le bouton **MEAS** pendant au moins 3 secondes en mode mesure; vous entrez dans le mode 'réglages spéciaux'. Tous les paramètres s'affichent sur l'écran LCD, puis l'écran se modifie comme illustré.
- 2 Appuyez sur le bouton **MEAS** pendant 0.5 seconde. Le réglage choisi apparaît.
- 3 Appuyez sur le bouton **CAL** pendant 0.5 seconde pour modifier le réglage. Appuyer en continu sur le bouton **CAL** permet de changer les réglages de manière séquentielle (voir diagramme en page fr-10).
- 4 Appuyez sur le bouton **MEAS** pour appliquer les réglages. L'instrument revient en mode Mesure.

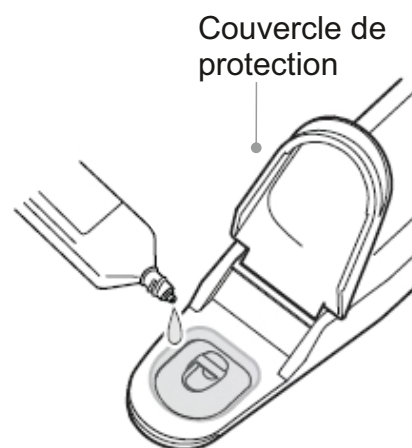
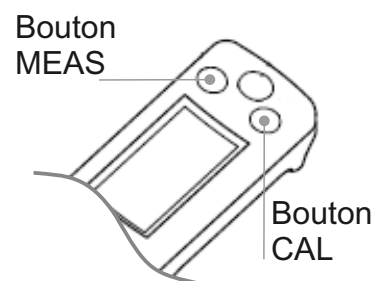


5 UTILISATION DU CONDUCTIVIMÈTRE (suite)



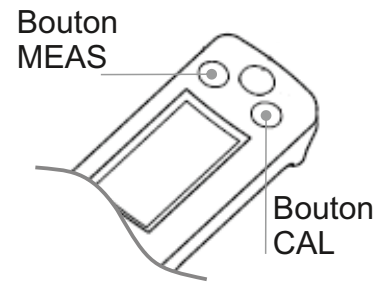
5.5 CALIBRATION EN UN POINT

- 1 Pour définir une 'calibration en un point', allumez l'instrument, appuyez et maintenez le bouton **MEAS** pendant 3 secondes. Appuyez sur le bouton **CAL** jusqu'à ce que **CAL** apparaisse.
- 2 Appuyez de nouveau sur le bouton **MEAS** pendant 0.5 seconde ; le type de calibration apparaît (1 ou 2). Appuyez sur le bouton **CAL** pour régler la calibration sur 1, puis appuyez de nouveau sur **MEAS** pour appliquer la sélection.
- 3 Ouvrez le couvercle de protection et placez quelques gouttes de la solution standard 1.41 mS/cm dans la cellule de mesure. Le fait de laver le capteur avec de la solution standard au préalable permet d'obtenir une calibration plus précise.



5 UTILISATION DU CONDUCTIVIMÈTRE (suite)

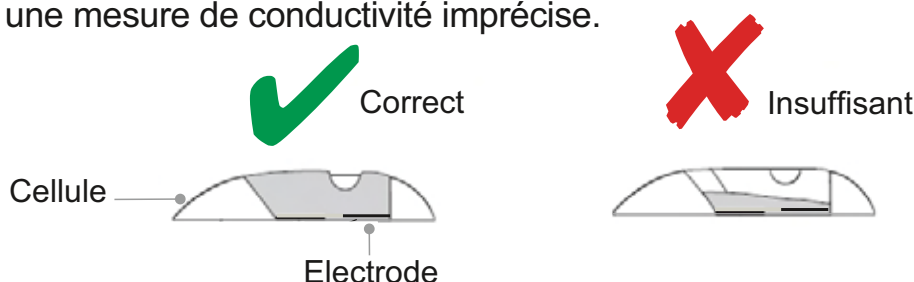
- 4 Fermez le couvercle de protection et appuyez sur le bouton **CAL** pendant au moins 2 secondes. **CAL** et 😊 clignotent, puis la valeur de calibration s'affiche. Une fois la calibration terminée, **CAL** et 😊 cessent de clignoter et s'illuminent en continu.
- 5 Lavez le capteur à l'eau du robinet et enlevez l'humidité.
- 6 Appuyez sur le bouton **MEAS** pendant 0.5 seconde pour entrer en mode Mesure et préparer la mesure.



Note : le conductivimètre Elcometer 138 possède un mode de calibration en deux points. Pour plus d'informations, référez-vous au manuel complet de l'Elcometer 138 disponible en téléchargement sur notre site Internet. Le mode de calibration en deux points nécessite deux solutions standard.

5.6 PRENDRE UNE MESURE

- 1 Appuyez sur le bouton On/Off pour allumer l'instrument.
- 2 Ouvrez le couvercle de protection et placez quelques gouttes d'échantillon sur le capteur.
 - ▶ Placez la quantité appropriée d'échantillon à tester sur la cellule de mesure en prenant soin d'éviter la formation de bulles d'air. La présence de bulles d'air dans la solution peut provoquer une mesure de conductivité imprécise.



- 3 Fermez le couvercle de protection.
 - ▶ L'air ambiant peut provoquer une fluctuation des valeurs mesurées. Pour réduire les interférences dues à l'environnement, fermez le couvercle de protection.

Fonction 'verrouillage de la mesure' non activée :

- 4 Lisez la valeur affichée lorsque 😊 apparaît.



5 UTILISATION DU CONDUCTIVIMÈTRE (suite)

Avec utilisation de la fonction 'verrouillage de la mesure'^e :

- 4 Lorsque ☺ apparaît, appuyez sur le bouton **MEAS** pendant 0.5 seconde. La fonction 'verrouillage de la mesure' est alors activée. **MEAS** clignote pendant la stabilisation de la mesure, **MEAS** arrête de clignoter et la valeur affichée est verrouillée; **MEAS** et ☺ sont allumés en continu.
- 5 Lisez la valeur affichée.
- 6 Appuyez sur le bouton **MEAS** pendant 0.5 seconde. La fonction 'verrouillage de la mesure' est désactivée et **MEAS** disparaît.



Note : si la mesure obtenue est en dehors de la plage spécifiée, la valeur mesurée clignote.

5.7 APRES LA PRISE DE MESURE

- 1 Appuyez sur le bouton On/Off pour éteindre l'instrument.
- 2 Lavez le capteur à l'eau du robinet et enlevez toute trace d'humidité avec un chiffon propre.
- 3 Refermez le couvercle de protection du capteur.

Note : si vous n'utilisez pas l'instrument pendant une longue période, lavez le capteur à l'eau pure au lieu de l'eau du robinet.

6 ENTRETIEN & MAINTENANCE

Le conductivimètre Elcometer 138 est conçu pour fonctionner pendant de nombreuses années dans des conditions normales d'utilisation.

- Les périodes prolongées sans utilisation peuvent provoquer un dessèchement du capteur, cause de mauvais fonctionnement ou de mesures instables. Mettez une solution de mouillage dans la cellule du capteur pendant quelques secondes, et patientez quelques instants pour saturer le capteur. Rincez le capteur à l'eau avant utilisation.
- Si la surface du capteur est contaminée, ou si des bulles d'air sont régulièrement présentes dans l'échantillon, lavez le capteur avec un détergent neutre dilué 100 fois.

^e Si vous utilisez la fonction 'verrouillage de la mesure', pensez à la désactiver avant chaque nouvelle prise de mesure.

6 ENTRETIEN & MAINTENANCE (suite)

- Le conductivimètre Elcometer 138 possède un écran à cristaux liquides (LCD). L'écran peut être endommagé s'il est exposé à une température supérieure à 50°C (120°F). Cela peut se produire si vous le laissez dans un véhicule garé en plein soleil.
- Rangez toujours les composants du Kit de Patches de Bresle Elcometer 138 dans la valise de transport après utilisation.

Le conductivimètre Elcometer 138 ne contient aucun composant réparable par vous-même. Dans le cas éventuel d'un défaut de fonctionnement, retournez l'instrument chez votre revendeur Elcometer le plus proche ou directement chez Elcometer Limited - vous trouverez toutes les coordonnées utiles sur notre site Internet, www.elcometer.com. L'ouverture de l'instrument entraînera une annulation de la garantie.

7 CARACTÉRISTIQUES TECHNIQUES

7.1 PATCH DE BRESLE		
Taille du patch	5 cm x 5 cm	
Surface de test	12.5 cm ²	
Volume d'échantillon	3 ml	
7.2 CONDUCTIVIMETRE		
Principe de mesure	Méthode bipolaire 2 AC	
Mode de mesure	Conductivité	
Plage de conductivité & Répétabilité	0 - 199 µS/cm	±5 µS/cm
	0.2 - 1.99 mS/cm	±0.05 mS/cm
	2 - 19.9 mS/cm	±0.5 mS/cm
Affichage	Ecran à Critaux Liquides (LCD) : caractères 2½	
Température de travail	5°C à 40°C (41°F à 105°F)	
Dimensions	164 x 29 x 20 mm (6.5 x 1.1 x 0.79")	
Poids	47 g (1.7 oz) - piles incluses	
Type de piles	2 x CR2032 lithium	

8 PIÈCES DE RECHANGE ET ACCESSOIRES

Le Kit Elcometer 138 est livré complet avec tous les éléments nécessaires pour débiter et prendre des mesures. Cependant, il faudra prévoir des pièces de rechange au cours de l'utilisation. Les éléments suivants sont disponibles auprès d'Elcometer ou de votre revendeur Elcometer local.

8.1 ELCOMETER 138 SOLUTIONS DE CALIBRATION

Description	Référence article
Solution de Calibration Standard 1.41 mS/cm (1410 μ S/cm); 6 x flacons de 14 ml (0.47 fl oz)	T13823926
Solution de Calibration Standard 12.9 mS/cm (12900 μ S/cm); 6 x flacons de 14 ml (0.47 fl oz)	T13824404
Solution de Calibration Standard 447 μ S/cm (0.447 mS/cm); 4 x 20ml (0.74fl oz) Sachets à usage unique	T13827352-1
Solution de Calibration Standard 1413 μ S/cm (1.413 mS/cm); 4 x 20ml (0.74fl oz) Sachets à usage unique	T13827352-2
Solution de Calibration Standard 15000 μ S/cm (15 mS/cm); 4 x 20ml (0.74fl oz) Sachets à usage unique	T13827352-3

8.2 PATCHES DE BRESLE

Description	Référence article
Elcometer 135B Patchs de Bresle, Lot de 25	E135----B
Elcometer 135C Test Patch de Bresle, Lot de 25	E135----C25
Elcometer 135C Test Patch de Bresle, Lot de 100	E135----C100

8.3 ACCESSOIRES DIVERS

Description	Référence article
Elcometer 138 Conductivimètre	T13823925
Capteur de rechange pour conductivimètre	T13823928
Flacon d'eau pure ; 250 ml (8.5 fl oz)	T13827259
Seringues, 5 ml (0.17 fl oz); x 3	T13818517
Aiguilles (pointe émoussée); x 3	T13818518
Bécher Plastique; 30 ml (1 fl oz)	T13818519

9 INFORMATIONS LÉGALES ET RÉGLEMENTAIRES

Ce produit est conforme à la Directive de Compatibilité Electromagnétique.

Ce produit est un équipement de Classe B, Groupe 1 ISM conformément au CISPR 11.

Produit ISM de Groupe 1 : produit dans lequel on génère et/ou utilise intentionnellement l'énergie radioélectrique nécessaire au fonctionnement interne de l'équipement lui-même.

Les produits de Classe B peuvent être utilisés dans les établissements domestiques et dans les établissements directement reliés à un réseau basse tension qui alimente des bâtiments à usage domestique.

elcometer® est une marque déposée d'Elcometer Limited, Edge Lane, Manchester, M43 6BU.
Royaume Uni.

Toutes les autres marques sont reconnues.

Le Kit de Patches de Bresle Elcometer 138 est livré dans un emballage en carton. Merci d'éliminer cet emballage dans le respect de l'environnement. Consultez la déchetterie de votre localité pour en savoir plus.

ATTENTION



Les aiguilles fournies dans ce kit sont émoussées, mais la plus grande attention est requise lors de leur utilisation et élimination pour éviter tout risque de blessure par piqûre. Il est recommandé de les jeter dans un container spécial, et non pas à la décharge.



En cas de contact de la solution standard utilisée pour la calibration avec la peau, lavez-la à l'eau claire. En cas de contact avec les yeux, rincez immédiatement et généreusement les yeux à l'eau claire, et consultez un médecin.



Gebrauchsanleitung

Elcometer 138

Bresle-Set und -Pflaster

INHALT

Abschnitt	Seite
1 Überblick	de-2
2 Packungsinhalt	de-2
3 Prüfverfahren: ISO 8502-6 / ISO 8502-9	de-3
4 Prüfverfahren: US Navy PPI 63101-000	de-5
5 Verwendung des Leitfähigkeitsprüfers	de-7
6 Pflege und Wartung	de-12
7 Technische Daten	de-13
8 Ersatzteile und Zubehör	de-14
9 Rechtliche Hinweise und behördliche Informationen	de-15



Beziehen Sie sich im Zweifelsfall bitte auf die englischsprachige Version.

Abmessungen des Sets: 346 x 292 x 84 mm (13,6 x 11,5 x 3,3")

Gewicht des Sets: 1,1 kg (2 lb 7 oz)

Material-Sicherheitsdatenblätter für die Elcometer 138 Standard-Kalibrierlösungen können von unserer Webseite heruntergeladen werden:

http://www.elcometer.com/images/stories/MSDS/elcometer_138_b771_calibration_solution.pdf

http://www.elcometer.com/images/stories/MSDS/Calibration_Solution_T13827352-1_to_T13827352-3_EU.pdf

http://www.elcometer.com/images/stories/MSDS/Calibration_Solution_T13827352-1_to_T13827352-3_Americas.pdf

© Elcometer Limited 2009-2016. Sämtliche Rechte vorbehalten. Kein Teil dieses Dokuments darf ohne die vorherige schriftliche Genehmigung der Elcometer Limited in jedweder Form oder auf jedwede Art reproduziert, übertragen, transkribiert, gespeichert (in einem Abrufsystem oder auf sonstige Weise) oder in jedwede Sprache (elektronisch, mechanisch, magnetisch, optisch, manuell oder auf sonstige Weise) übersetzt werden.

1 ÜBERBLICK

Das Elcometer 138 Bresle-Set und die Pflaster stellen alle Materialien und die Ausrüstung zur Bestimmung des Chloridkontaminationsgrades von Oberflächen bereit.

Chloridsalze werden unter Verwendung des Bresle-Testpflasterverfahrens von der Oberfläche extrahiert und der Chloridgehalt wird mithilfe eines Leitfähigkeitsprüfers gemessen.

Diese Anleitung erfasst zwei Prüfverfahren:

- ISO 8502-6 / ISO8502-9
- US NAVY PPI 63101-000 (Rev 27)

Das Elcometer 138 Bresle-Set und die Pflaster sind ebenfalls gemäß ISO 8502-11; AS 3894.6-A und SSPC-Anleitung 15 verwendbar.

Für IMO PSPC^a sollten die Oberflächensalze gemessen und aufgezeichnet werden. Das Elcometer 138 Bresle-Set und die Pflaster können dazu verwendet werden.

2 PACKUNGSINHALT

- Elcometer 135B Bresle-Pflaster, 25 Stück oder;
Elcometer 135C Bresle-Testpflaster, 25 Stück
(Je nach bestelltem Set)
- Elcometer 138 Leitfähigkeitsprüfer und Sensor
- Standardkalibrierlösung 1,41 mS/cm; 14ml (0,47 fl oz)
- Anfeuchtlösung; 14 ml (0,47 fl oz)
- Reinstwasser; 250 ml (8,5 fl oz)
- Spritzen; 5 ml (0,17 fl oz); 3 Stück
- Nadeln (stumpf); 3 Stück
- Kunststoffbecher; 30 ml (1 fl oz)
- CR2032-Lithium-Batterien; 2 Stück
- Transportkoffer
- Gebrauchsanleitung

Hinweis: Der im Set enthaltene Elcometer 138 Leitfähigkeitsprüfer misst die Leitfähigkeit von wässrigen Lösungen. Das Prüfgerät ist NICHT für das Messen von Feststoffen, organischen Lösungsmitteln, Tensiden, Öl, Klebstoff, Alkohol, starken Säuren (pH: 0 bis 2) oder starken Alkalien (pH: 12 bis 14) konzipiert. Die Gebrauchsdauer des Sensors wird beim Messen derartiger Substanzen extrem verkürzt.

^a International Maritime Organisation, Leistungsstandard für Schutzbeschichtungen.

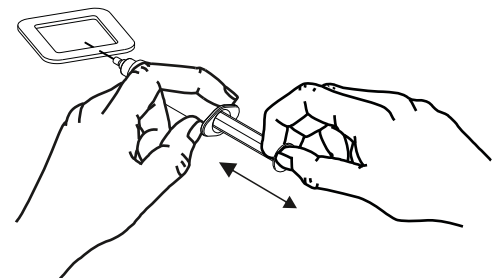
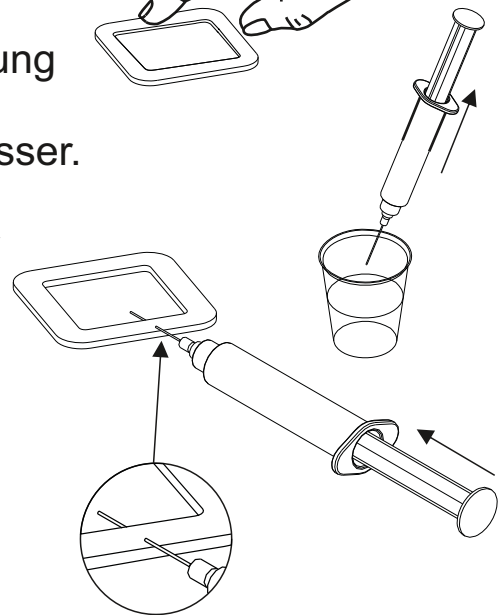
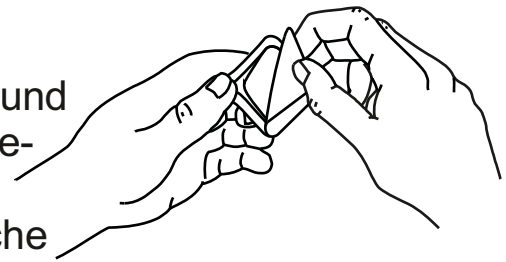
3 PRÜFVERFAHREN: ISO 8502-6 / ISO 8502-9

3.1 BEVOR SIE BEGINNEN

- 1 Kalibrieren Sie den Leitfähigkeitsprüfer - siehe Abschnitt 5.5 auf Seite de-10.
- 2 Aufgrund der extremen Empfindlichkeit des Tests sollten während der Extraktion von löslichen Salzen saubere Latex- oder Nitril- Handschuhe getragen werden, um eine Kontamination der Oberfläche zu vermeiden.

3.2 PRÜFVERFAHREN

- 1 Entfernen Sie den bedruckten Schutzfilm und die mittige Schaumstoffeinlage vom Bresle-Pflaster.
- 2 Bringen Sie das Pflaster an der Oberfläche an und drücken Sie dabei kräftig entlang des Außenrands des Pflasters, um eine vollständige Abdichtung zu gewährleisten. Wenn Sie ein Elocmeter 135C Bresle Testpflaster benutzen, entfernen Sie die transparente Schutzfolie unter Verwendung der orangenen Lasche.
- 3 Füllen Sie eine Spritze mit 3 ml Reinstwasser.
- 4 Führen Sie die Spritze zum Prüfen der Oberfläche in einem Winkel von ungefähr 30° durch die Schaumstoffumrandung in die durch den Elastomer-Film und die Prüffläche gebildete Kammer ein. Biegen Sie die Nadel nach Bedarf, falls das Pflaster an einer schwer erreichbaren Stelle angebracht ist.
- 5 Injizieren Sie das Reinstwasser in das Pflaster. Entfernen Sie die Nadel nicht.
 - ▶ Etwaige Luft kann erforderlichenfalls in die Spritze aufgesaugt und über dem Wasserspiegel in der Spritze belassen werden. Achten Sie in Schritt 6 und 7 darauf, die Luft nicht erneut einzuführen.
- 6 Saugen Sie die Lösung über eine geeignete Zeitdauer^b mindestens viermal ab und injizieren Sie sie erneut^c.

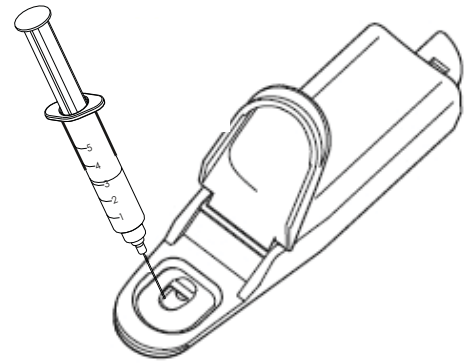


^b Auf nicht genarbt, strahlgereinigten Flächen wurde eine Dauer von 10 Minuten als befriedigend befunden. Diese Zeitdauer sollte jedoch von den betroffenen Parteien vereinbart werden.

^c In Schritt 6 und 7 ist es äußerst wichtig, dass keine Lösung verloren wird. Beim Verlust jeglicher Lösung ist der Test zurückzuweisen.

3 PRÜFVERFAHREN: ISO 8502-6 / ISO 8502-9 (Fortsetzung)

- 7 Extrahieren Sie am Ende des Zeitraums so viel Lösung wie möglich und nehmen Sie die Spritze aus dem Pflaster^c.
- 8 Messen Sie die Leitfähigkeit der Lösung mit dem Elcometer 138 Leitfähigkeitsprüfer - siehe Abschnitt 5.6 auf Seite de-11. Injizieren Sie die Probe direkt in die Sensorzelle. Spülen Sie die Sensorzelle vor dem Erfassen des Messwerts mehrmals mit der zu messenden Lösung.



3.3 NACH DEM TEST

- 1 Zeichnen Sie die Temperatur der Lösung auf.
- 2 Entfernen Sie das Pflaster von der Oberfläche und reinigen Sie diese. Erforderlichenfalls können etwaige an der Prüffläche verbleibende Klebstoffreste des Pflasters mit einem Tuch entfernt werden, das mit einem geeigneten Lösemittel angefeuchtet ist. Vergewissern Sie sich vor dem Gebrauch des Lösemittels, dass es die Oberfläche nicht beschädigt.
- 3 Spülen Sie mit Ausnahme des Pflasters alle Komponenten des Prüfsets mit frischem Reinstwasser. Die Komponenten sind wiederverwendbar.

3.4 BERECHNEN DER OBERFLÄCHENDICHTE VON SALZEN

Multiplizieren Sie den Messwert mit einem der folgenden Faktoren:

	Oberflächendichte von Salzen: Faktoren ^d			
	ISO Salzgemisch		IMO PSPC äquivalentes NaCl	
Messwert	mg/m ²	µg/cm ²	mg/m ²	µg/cm ²
µS/cm	x1,2	x0,12	x1,1	x0,11

Hinweis: ISO 8502-9 erlaubt die Messung von Reinstwasser vor dem Test und den Abzug dieses Wertes von den Werten die im obigen Abschnitt 3.2 Satz 8 ermittelt wurden.

^c In Schritt 6 und 7 ist es äußerst wichtig, dass keine Lösung verloren wird. Beim Verlust jeglicher Lösung ist der Test zurückzuweisen.

^d Basierend auf einer Fläche von 12,5 cm² und einem Volumen von 3 ml.

4 PRÜFVERFAHREN: US NAVY PPI 63101-000

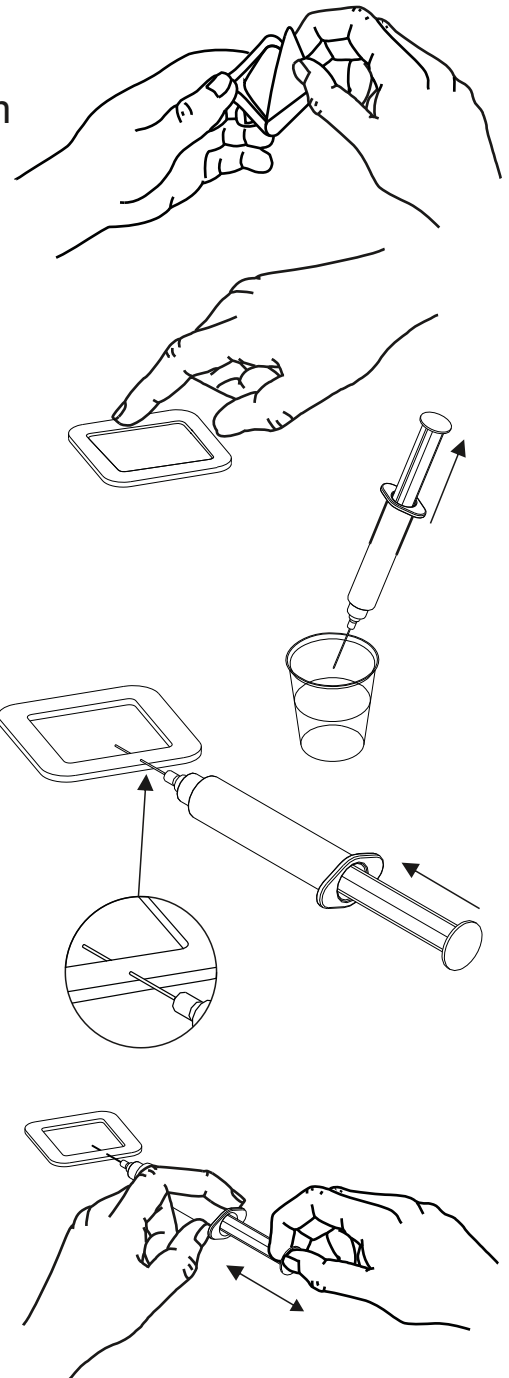
4.1 BEVOR SIE BEGINNEN

- 1 Kalibrieren Sie den Leitfähigkeitsprüfer - siehe Abschnitt 5.5 auf Seite de-10.
- 2 Aufgrund der extremen Empfindlichkeit des Tests sollten während der Extraktion von löslichen Salzen saubere Latex- oder Nitril-Handschuhe getragen werden, um eine Kontamination der Oberfläche zu vermeiden.

4.2 PRÜFVERFAHREN

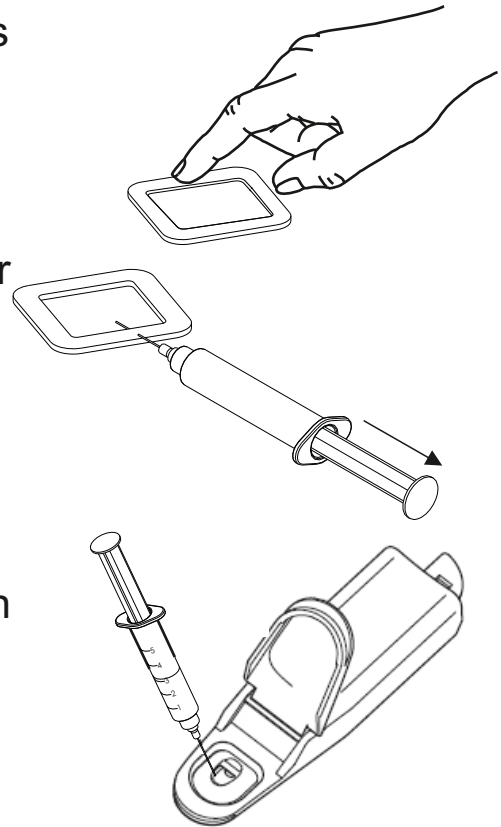
Messwerte sind als Stichproben über die vorbereitete Oberfläche zu erfassen. Es sollten alle 90 m² (1000 ft²) fünf Messwerte erfasst werden. Für Flächen kleiner als 90 m² (1000 ft²) sollten auch fünf Messwerte erfasst werden.

- 1 Entfernen Sie den bedruckten Schutzfilm und die mittige Schaumstoffeinlage vom Bresle-Pflaster.
- 2 Bringen Sie das Pflaster an der Oberfläche an und drücken Sie dabei kräftig entlang des Außenrands des Pflasters, um eine vollständige Abdichtung zu gewährleisten. Wenn Sie ein Elocmeter 135C Bresle Testpflaster benutzen, entfernen Sie die transparente Schutzfolie unter Verwendung der orangenen Lasche.
- 3 Füllen Sie eine Spritze mit 3 ml Reinstwasser.
- 4 Führen Sie die Spritze durch die Schaumstoffumrandung in das Pflaster ein und injizieren Sie 1,5 ml Reinstwasser in das Pflaster. Entfernen Sie die Spritze nicht.
- 5 Positionieren Sie die Nadel erneut mit der im Pflaster verbleibender Spritze und entfernen Sie etwaige Luft aus dem Pflaster.
- 6 Injizieren Sie nach dem Entfernen der Luft die verbleibenden 1,5 ml Reinstwasser.
- 7 Entfernen Sie die Spritze aus dem Pflaster.



4 PRÜFVERFAHREN: US NAVY PPI 63101-000 (Fortsetzung)

- 8 Reiben Sie die Oberfläche des Pflasters 10 bis 15 Sekunden leicht, damit sich Oberflächenverunreinigungen im Wasser lösen können.
- 9 Führen Sie die Spritze durch die Schaumstoffumrandung in das Pflaster ein und ziehen Sie die Lösung aus dem Pflaster ab.
- 10 Messen Sie die Leitfähigkeit der Lösung mit dem Elcometer 138 Leitfähigkeitsprüfer - siehe Abschnitt 5.6 auf Seite de-11. Injizieren Sie die Probe direkt in die Sensorzelle. Spülen Sie die Sensorzelle vor dem Erfassen des Messwerts mehrmals mit der zu messenden Lösung.



4.3 NACH DEM TEST

- 1 Zeichnen Sie die Temperatur der Lösung auf.
- 2 Entfernen Sie das Pflaster von der Oberfläche und reinigen Sie diese. Erforderlichenfalls können etwaige an der Prüffläche verbleibende Klebstoffreste des Pflasters mit einem Tuch entfernt werden, das mit einem geeigneten Lösemittel angefeuchtet ist. Vergewissern Sie sich vor dem Gebrauch des Lösemittels, dass es die Oberfläche nicht beschädigt.
- 3 Spülen Sie mit Ausnahme des Pflasters alle Komponenten des Prüfsets mit frischem Reinstwasser. Die Komponenten sind wiederverwendbar.

4.4 GUT/SCHLECHT-KRITERIEN

Für eingetauchte Anwendungen soll die Leitfähigkeit aufgrund löslicher Salze (völlig ionisch) 30 $\mu\text{S}/\text{cm}$ nicht überschreiten.

Für nicht eingetauchte Anwendungen soll die Leitfähigkeit aufgrund löslicher Salze 70 $\mu\text{S}/\text{cm}$ nicht überschreiten.

Hinweis: Die von der US Navy für die Berechnung der Chloridanteile erstellten Diagramme sind für dieses Prüfverfahren nicht erforderlich. Wenden Sie sich bitte an Elcometer oder Ihren örtlichen Elcometer-Händler, falls Sie eine Kopie dieser Diagramme benötigen.

5 VERWENDUNG DES LEITFÄHIGKEITSPRÜFERS

5.1 VORSICHT

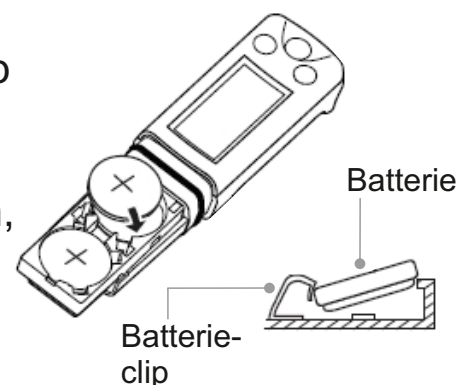
- Lassen Sie den Leitfähigkeitsprüfer nicht fallen.
- Wenden Sie beim Öffnen des Prüfers (zum Austausch der Batterien oder des Sensors) niemals übermäßige Kraft an.
- Üben Sie keine übermäßige Kraft auf den Sensor aus.
- Bitte auf keinen Fall mit Hilfsmitteln (Pinzetten, Pipetten usw.) die Sensorzelle berühren!
- Messen Sie keine Proben, die wärmer als 40 °C (105 °F) sind.
- Erlauben Sie keinen Kontakt mit Lösemitteln.
- Setzen Sie den Leitfähigkeitsprüfer keinen hohen Temperaturen oder Feuchtigkeit aus.
- Das Produkt ist zwar wassergeschützt, vermeiden Sie jedoch, es vollständig einzutauchen. Falls das Prüfgerät versehentlich in Wasser fällt, nehmen Sie es heraus und entfeuchten es.

5.2 EINLEGEN DER BATTERIEN

Der Elcometer 138 Leitfähigkeitsprüfer verwendet ausschließlich Trockenzellen. Dem Set liegen zwei CR2032-Lithium-Batterien bei.

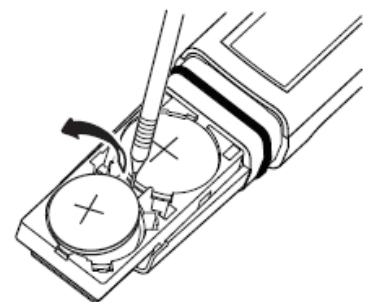
Einlegen oder Austauschen der Batterien:

- 1 Legen Sie die Batterien in den Batterieclip ein und vergewissern Sie sich von der korrekten Polarität.
- 2 Um das Gerät wieder zusammenzubauen, legen Sie den Sensor auf den Gerätekörper und drücken Sensor und Gerätekörper mit sanftem Druck zusammen bis der Halteclip einrastet.



Wenn die Batteriespannung schwach wird, beginnt die Batterieladeanzeige zu blinken. Tauschen Sie umgehend beide Batterien aus.

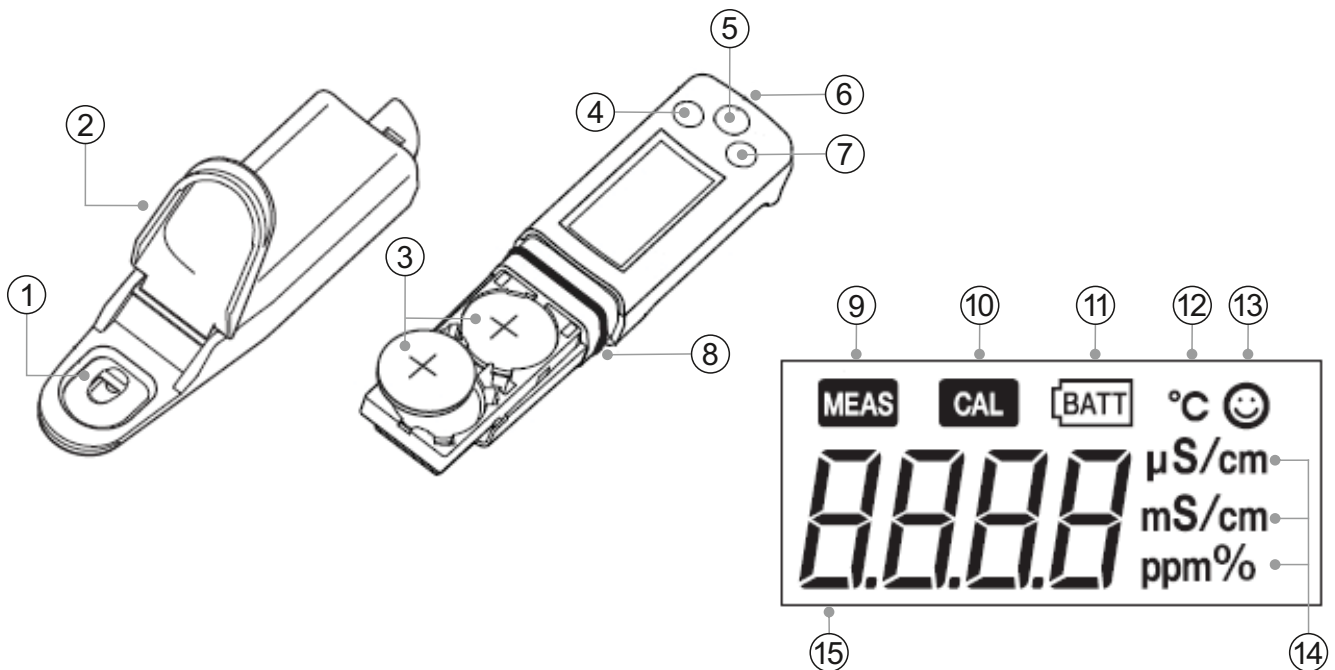
*Hinweis: Lithium-Batterien müssen zur Vermeidung einer Umweltverschmutzung sorgfältig entsorgt werden. Bitte lassen Sie sich von Ihrer örtlichen Umweltbehörde über die Entsorgung in Ihrer Region beraten. **Entsorgen Sie Batterien nicht im Feuer.***



5 VERWENDUNG DES LEITFÄHIGKEITSPRÜFERS (Fort.)

5.3 BEDIENELEMENTE UND ANZEIGE

Das Elcometer 138 Leitfähigkeitsprüfgerät wird mit drei Tasten bedient und zeigt Messwerte und weitere Informationen auf dem LCD-Bildschirm an.



ANLEITUNG FÜR DAS LEITFÄHIGKEITSPRÜFGERÄT UND ANZEIGEELEMENTE

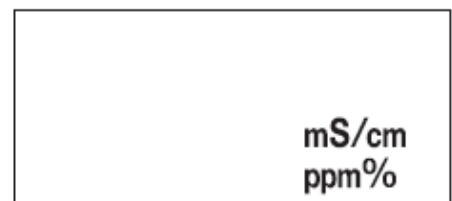
1	Messzelle	Geben Sie eine flüssige Probe in diese Zelle, um sie mithilfe der unten in der Zelle angebrachten Elektrode zu messen.
2	Schutzabdeckung	Schützt die Messzelle und den flachen Sensor bei der Aufbewahrung.
3	Lithium-Batterien	CR2032 x 2
4	MEAS-Taste	Schaltet vom Kalibriermodus in den Messmodus um, aktiviert/deaktiviert die Messwertsperre im Messmodus und startet/übernimmt Einstellungen im speziellen Einstellmodus.
5	Ein/Aus-Taste	Schaltet das Prüfgerät ein/aus.
6	Öse für Trageband	Hier kann ein Trageband angebracht werden.
7	CAL-Taste	Startet die Kalibrierung und schaltet zwischen Elementen/Einstellungen im speziellen Einstellmodus um.
8	Wasserschutzdichtung	Schützt das Prüfgerät vor Wasser.

5 VERWENDUNG DES LEITFÄHIGKEITSPRÜFERS (Fort.)

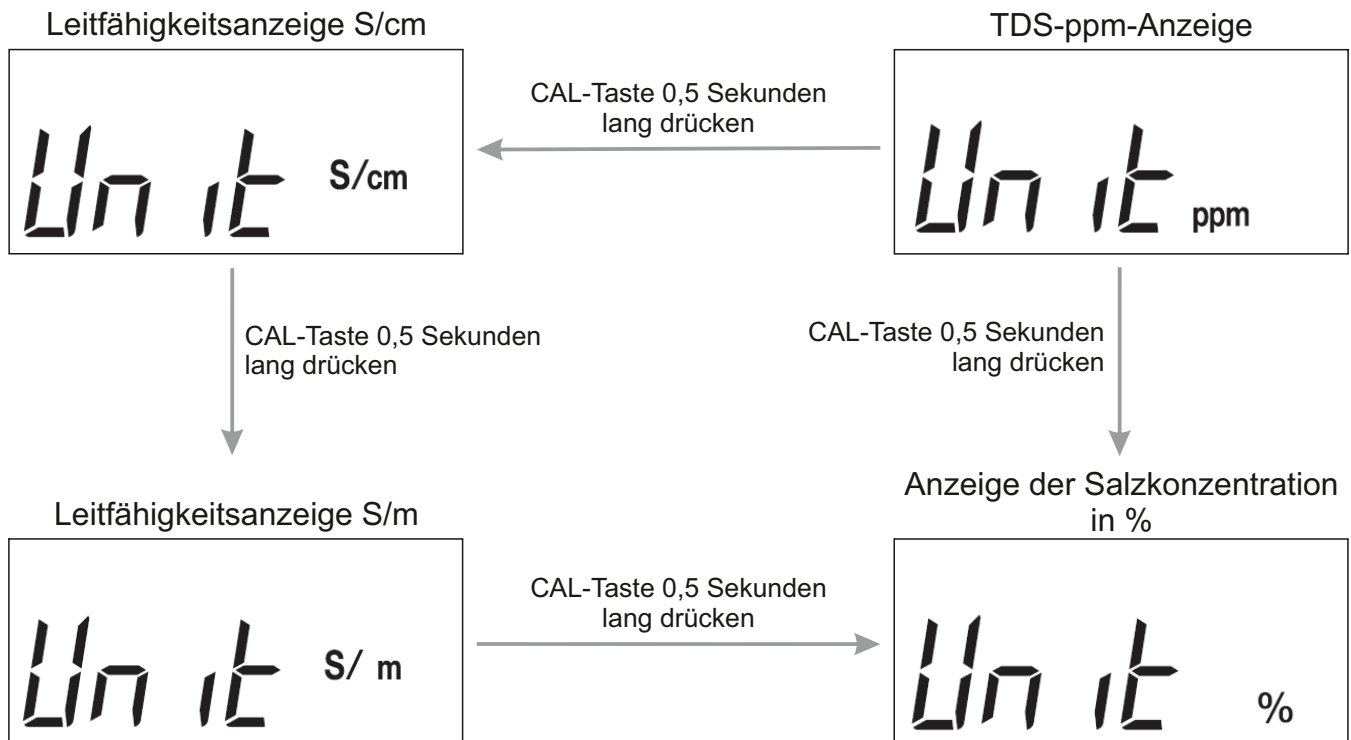
ANLEITUNG FÜR DAS LEITFÄHIGKEITSPRÜFGERÄT UND ANZEIGEELEMENTE		
9	MEAS-Symbol	Blinkt, bis sich der Messwert stabilisiert hat, und leuchtet bei eingependeltem Messwert konstant, während die Messwertsperrfunktion aktiviert ist.
10	CAL-Symbol	Blinkt während der Kalibrierung und leuchtet konstant, wenn diese abgeschlossen ist.
11	Batteriewarnsymbol	Leuchtet, wenn die Batterien schwach sind und ausgetauscht werden müssen.
12	Temperaturwarnsymbol	Blinkt, wenn die Messumgebungstemperatur nicht der vorgegebenen Betriebstemperatur von 5 °C bis 40 °C (41 °F bis 105 °F) entspricht.
13	Stabilitätssymbol	Leuchtet, wenn sich der Messwert stabilisiert hat.
14	Maßeinheitenanzeige	Ein dem auf der Messwertanzeige angezeigten Wert entsprechendes Einheitssymbol leuchtet auf (15). Die Standardeinstellung ist 'S/cm'.
15	Messwertanzeige	Zeigt den Mess-, Einstell- und Statuswert an.

5.4 EINSTELLEN DER MASSEINHEITEN

- 1 Halten Sie zum Umschalten in den speziellen Einstellmodus die **MEAS**-Taste länger als 3 Sekunden gedrückt. Alle Elemente erscheinen auf dem LCD und die Anzeige ändert sich dann wie dargestellt.
- 2 Drücken Sie die **MEAS**-Taste 0,5 Sekunden lang. Die aktuelle Einstellung wird angezeigt.
- 3 Drücken Sie die **CAL**-Taste 0,5 Sekunden lang, um die Einstellung zu ändern. Beim kontinuierlichen Drücken der **CAL**-Taste werden die Einstellungen der Reihe nach geändert (siehe Diagramm auf Seite de-10).
- 4 Drücken Sie die **MEAS**-Taste, um die Einstellung zu übernehmen. Das Prüfgerät schaltet in den Messmodus zurück.

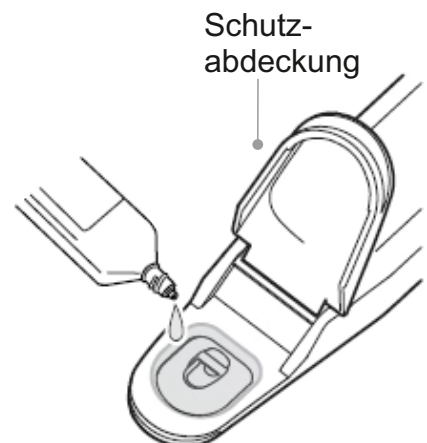
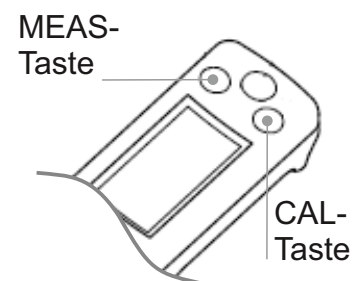


5 VERWENDUNG DES LEITFÄHIGKEITSPRÜFERS (Fort.)



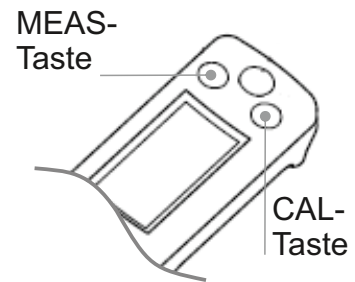
5.5 EINPUNKT-KALIBRIERUNG

- 1 Schalten Sie zum Einstellen der 'Einpunkt-Kalibrierung' die **MEAS**-Taste 3 Sekunden lang gedrückt. Drücken Sie die **CAL**-Taste, bis **CAL** erscheint.
- 2 Drücken Sie die **MEAS**-Taste nochmals 0,5 Sekunden lang, um die Kalibrierungsart (1 oder 2) anzuzeigen. Drücken Sie die **CAL**-Taste, um die Einstellung erforderlichenfalls auf 1 zu ändern, und drücken Sie nochmals die **MEAS**-Taste, um die Einstellung zu übernehmen.
- 3 Öffnen Sie die Schutzabdeckung und geben Sie einige Tropfen der 1,41 mS/cm-Standardlösung in die Messzelle. Das vorherige Waschen des Sensors mit Standardlösung resultiert unter Umständen in einer genaueren Kalibrierung.



5 VERWENDUNG DES LEITFÄHIGKEITSPRÜFERS (Fort.)

- 4 Schließen Sie die Schutzabdeckung und halten Sie die **CAL**-Taste länger als 2 Sekunden gedrückt. **CAL** und ☺ blinken und der Kalibrierungswert wird angezeigt. Nach abgeschlossener Kalibrierung hören **CAL** und ☺ zu blinken auf und leuchten konstant.
- 5 Reinigen Sie den Sensor mit Leitungswasser und trocknen Sie ihn.
- 6 Halten Sie die **MEAS**-Taste 0,5 Sekunden lang gedrückt, um in den Messmodus umzuschalten und das Gerät auf die Messung vorzubereiten.



Hinweis: Der Elcometer 138 Leitfähigkeitsprüfer verfügt über einen Zweipunkt-Kalibriermodus. Entnehmen Sie Einzelheiten der vollständigen Bedienungsanleitung für den Elcometer 138, die auf unserer Website zum Download bereitsteht. Für den Zweipunkt-Kalibriermodus sind zwei Standardlösungen erforderlich.

5.6 ERFASSEN EINES MESSWERTS

- 1 Drücken Sie die EIN/AUS-Taste, um das Prüfgerät einzuschalten.
- 2 Öffnen Sie die Schutzabdeckung und geben Sie einige Tropfen der Probe auf den Sensor.
 - ▶ Geben Sie eine angemessene Probenmenge in die Messzelle und vermeiden Sie den Einschluss von Blasen. Blasen in der Lösung können einen ungenauen Leitfähigkeitsmesswert bewirken.



- 3 Schließen Sie die Schutzabdeckung.
 - ▶ Umgebungsluft könnte schwankende Messwerte verursachen. Schließen Sie die Schutzabdeckung, um störende Umgebungseinwirkungen zu reduzieren.

Ohne Verwendung der Messwertsperrefunktion:

- 4 Lesen Sie den angezeigten Messwert, wenn ☺ erscheint.



5 VERWENDUNG DES LEITFÄHIGKEITSPRÜFERS (Fort.)

Bei Verwendung der Messwertsperrfunktion^e:

- 4 Drücken Sie die **MEAS**-Taste 0,5 Sekunden lang, nachdem 😊 erscheint. Die Messwertsperrfunktion ist aktiviert. **MEAS** blinkt, bis sich der Messwert stabilisiert hat. Wenn der Messwert stabil ist, hört **MEAS** zu blinken auf und der angezeigte Wert ist gesperrt und **MEAS** und 😊 leuchten kontinuierlich.
- 5 Lesen Sie den angezeigten Wert ab.
- 6 Drücken Sie die **MEAS**-Taste 0,5 Sekunden lang. Die **MEAS** Messwertsperrfunktion ist deaktiviert und erlischt.



Hinweis: Wenn ein Messergebnis außerhalb des festgelegten Messbereichs liegt, blinkt der angezeigte Messwert.

5.7 NACH DER MESSUNG

- 1 Drücken Sie die EIN/AUS-Taste, um das Prüfgerät auszuschalten.
- 2 Waschen Sie den Sensor mit Leitungswasser und wischen Sie verbleibendes Wasser mit einem sauberen Papiertuch ab.
- 3 Bringen Sie die Sensorschutzkappe an.

Hinweis: Verwenden Sie zum Waschen des Sensors Reinstwasser statt Leitungswasser, wenn das Prüfgerät längere Zeit nicht verwendet werden soll.

6 PFLEGE UND WARTUNG

Der Elcometer 138 Leitfähigkeitsprüfer ist für den langjährig zuverlässigen Betrieb unter normalen Betriebsbedingungen konzipiert.

- Der Sensor kann austrocknen, wenn er längere Zeit nicht verwendet wird. Dies kann in Funktionsstörungen oder instabilen Messwerten resultieren. Geben Sie Anfeuchtlösung in die Sensorzelle und lassen Sie sie einige Minuten lang einwirken, damit der Sensor gesättigt wird. Waschen Sie den Sensor vor dem Gebrauch mit Wasser.
- Reinigen Sie den Sensor mit einem verdünnten neutralen Reinigungsmittel (100-fach verdünnt), wenn die Messfläche des Sensors verunreinigt ist oder regelmäßig Luftblasen in der Probe vorhanden sind.

^e Wenn Sie die Messwertsperrfunktion verwenden, deaktivieren Sie sie vor Beginn jeder Messwerterfassung.

6 PFLEGE UND WARTUNG (Fortsetzung)

- Der Elcometer 138 Leitfähigkeitsprüfer ist mit einer Flüssigkristallanzeige ausgestattet. Der Anzeigebildschirm kann beschädigt werden, wenn er auf mehr als 50°C (120°F) erwärmt wird. Dies kann zum Beispiel geschehen, wenn der Leitfähigkeitsprüfer in einem Fahrzeug gelassen wird, das in direktem Sonnenlicht geparkt ist.
- Bewahren Sie die Bestandteile des Elcometer 138 Bresle-Sets und die Pflaster stets im Transportkoffer auf, wenn das Set nicht verwendet wird.

Der Elcometer 138 Leitfähigkeitsprüfer enthält keine vom Benutzer zu wartende Teile. Im unwahrscheinlichen Fall eines Defekts sollte das Prüfgerät an Ihren örtlichen Elcometer-Händler oder direkt an Elcometer eingeschickt werden - Kontaktdetails sind auf unserer Website www.elcometer.com zu finden. Die Garantie erlischt, wenn das Gerät geöffnet wurde.

7 TECHNISCHE DATEN

7.1 BRESLE-PFLASTER	
Pflastergröße	5 cm x 5 cm
Prüffläche	12,5 cm ²
Probenvolumen	3ml

7.2 LEITFÄHIGKEITSPRÜFER		
Messprinzip	2-AC-Zweipolverfahren	
Messmodus	Leitfähigkeit	
Leitfähigkeitsbereich und Wiederholgenauigkeit	0 - 199 µS/cm	±5 µS/cm
	0,2 - 1,99 mS/cm	±0,05 mS/cm
	2 - 19,9 mS/cm	±0 5 mS/cm
Anzeige	Flüssigkristallanzeige (LCD); 2½ Stellen	
Messtemperatur	5°C bis 40°C (41°F bis 105°F)	
Abmessungen	164 x 29 x 20 mm (6,5 x 1,1 x 0,79")	
Gewicht	47 g (1,7 oz) inklusive Batterien.	
Batterietyp	2 x CR2032-Lithium	

8 ERSATZTEILE UND ZUBEHÖR

Das Elcometer 138 Bresle-Set bietet das gesamte zur anfänglichen Messwerterfassung benötigte Zubehör. Im Verlauf der Nutzung des Sets kann jedoch der Austausch von Zubehörteilen erforderlich werden. Die folgenden Artikel sind bei Elcometer oder Ihrem örtlichen Elcometer-Händler erhältlich.

8.1 ELCOMETER 138 KALIBRIERLÖSUNGEN

Beschreibung	Bestellnummer
Standard 1,41 mS/cm (1410 µS/cm) Kalibrierlösung; 6 x 14 ml (0,47fl oz) Flaschen	T13823926
Standard 12,9 mS/cm (12900 µS/cm) Kalibrierlösung; 6 x 14 ml (0,47fl oz) Flaschen	T13824404
Standard 447 µS/cm (0,447 mS/cm) Kalibrierlösung; 4 x 20ml (0,74fl oz) Einwegbeutel	T13827352-1
Standard 1413 µS/cm (1,413 mS/cm) Kalibrierlösung; 4 x 20ml (0,74fl oz) Einwegbeutel	T13827352-2
Standard 15000 µS/cm (15 mS/cm) Kalibrierlösung; 4 x 20ml (0,74fl oz) Einwegbeutel	T13827352-3

8.2 BRESLE PFLASTER

Beschreibung	Bestellnummer
Elcometer 135B Bresle-Pflaster, 25 Stück	E135----B
Elcometer 135C Bresle-Testpflaster, 25 Stück	E135----C25
Elcometer 135C Bresle-Testpflaster, 100 Stück	E135----C100

8.3 VERSCHIEDENES ZUBEHÖR

Beschreibung	Bestellnummer
Elcometer 138 Leitfähigkeitsprüfer	T13823925
Ersatzsensor für Leitfähigkeitsprüfer	T13823928
Reinstwasser; 250 ml (8,5 fl oz)	T13827259
Spritzen; 5 ml (0,17 fl oz); 3 Stück	T13818517
Nadeln (stumpf); 3 Stück	T13818518
Kunststoffbecher; 30 ml (1 fl oz)	T13818519

9 RECHTLICHE HINWEISE UND BEHÖRDLICHE INFORMATIONEN

Dieses Produkt erfüllt die Richtlinie für elektromagnetische Verträglichkeit.

Dieses Produkt ist ein ISM-Gerät der Klasse B, Gruppe 1 gemäß CISPR 11.

ISM-Produkt der Gruppe 1: Ein Produkt, in dem beabsichtigt konduktiv gekoppelte Funkfrequenzenergie erzeugt und/oder verwendet wird, die für die interne Funktion der Ausrüstung selbst erforderlich ist.

Produkt der Klasse B: Es ist für den Gebrauch in Wohnbereichen und in Bereichen geeignet, die direkt mit einem Niederspannungs-Stromversorgungsnetz verbunden sind, das Gebäude für den häuslichen Gebrauch versorgt.

elcometer® ist ein eingetragenes Warenzeichen der Elcometer Limited, Edge Lane, Manchester, M43 6BU, Großbritannien und Nordirland.

Alle anderen Handelsmarken sind anerkannt.

Das Elcometer 138 Bresle-Set und die Pflaster sind in einem Karton verpackt. Stellen Sie bitte sicher, dass diese Verpackung auf umweltverträgliche Weise entsorgt wird. Lassen Sie sich von Ihrer örtlichen Umweltbehörde weiterberaten.

VORSICHT



Die mit diesem Set gelieferten Nadeln sind stumpf, sie müssen jedoch sorgfältig verwendet und entsorgt werden, um versehentliche Stichverletzungen zu verhindern. Es wird empfohlen, diese Nadeln als Sondermüll und nicht als Deponiemüll zu entsorgen.



Wenn die zur Kalibrierung des Prüfgeräts verwendete Standardlösung in Kontakt mit der Haut kommt, sollte die Haut mit frischem Wasser gewaschen werden. Spülen Sie die Augen mit reichlich frischem Wasser und suchen Sie ärztlichen Rat, wenn die Standardlösung in Kontakt mit den Augen kommt.



Guía del usuario

Elcometer 138

Kit y parches Bresle

CONTENIDO

Sección		Página
1	Descripción general	es-2
2	Contenido de la caja	es-2
3	Procedimiento de prueba: ISO 8502-6 / ISO 8502-9	es-3
4	Procedimiento de prueba: US Navy PPI 63101-000	es-5
5	Utilización del medidor de conductividad	es-7
6	Conservación y mantenimiento	es-12
7	Especificaciones técnicas	es-13
8	Repuestos y accesorios	es-14
9	Avisos legales e información sobre la normativa	es-15



Para despejar cualquier duda, consulte la versión original en inglés.

Dimensiones del kit: 346 x 292 x 84mm (13,6 x 11,5 x 3,3 pulgadas)

Peso del kit: 1,1 kg (2 libras y 7 onzas)

Las hojas de datos de seguridad del material para las Soluciones de Calibración Estándar se pueden descargar a través de nuestra página web:

http://www.elcometer.com/images/stories/MSDS/elcometer_138_b771_calibration_solution.pdf

http://www.elcometer.com/images/stories/MSDS/Calibration_Solution_T13827352-1_to_T13827352-3_EU.pdf

http://www.elcometer.com/images/stories/MSDS/Calibration_Solution_T13827352-1_to_T13827352-3_Americas.pdf

© Elcometer Limited 2009-2016. Todos los derechos reservados. Este documento ni ningún fragmento del mismo pueden reproducirse, transmitirse, transcribirse, almacenarse (en un sistema de recuperación o de otro tipo) ni traducirse a ningún idioma, en ningún formato ni por ningún medio (ya sea electrónico, mecánico, magnético, óptico, manual o de otro tipo) sin permiso previo y por escrito de Elcometer Limited

1 DESCRIPCIÓN GENERAL

El Kit y parches Bresle Elcometer 138 proporciona todos los materiales y el equipo necesarios para determinar el nivel de contaminación por cloruro en superficies.

Las sales de cloruro se extraen de la superficie empleando el método de parche Bresle y el contenido de cloruro de la solución de prueba se mide empleando un medidor de conductividad.

Estas instrucciones incorporan dos métodos de prueba:

- ISO 8502-6 / ISO8502-9
- US NAVY PPI 63101-000 (Rev 27)

El kit y parches Bresle Elcometer 138 también puede utilizarse conforme a ISO 8502-11; AS 3894.6-A y SSPC Guide 15.

Para IMO PSPC^a, las sales superficiales deben medirse y registrarse. El kit y parches Bresle Elcometer 138 puede utilizarse para este estándar.

2 CONTENIDO DE LA CAJA

- Parche Bresle Elcometer 135B, paquete de 25 o;
Parche de prueba Bresle Elcometer 135C, paquete de 25
(dependiendo del kit solicitado)
- Medidor de conductividad y sensor Elcometer 138
- Solución de calibración estándar de 1,41 mS/cm, 14 ml (0,47 oz. fl.)
- Solución humectante; 14 ml (0,47 oz. fl.)
- Botella de agua pura; 250 ml (8,5 oz. fl.)
- Jeringas de 5 ml (0,17 oz. fl.); 3
- Agujas (romas); 3
- Probeta de plástico; 30 ml (1 oz. fl.)
- Pilas de litio CR2032; 2
- Estuche de transporte
- Guía del usuario

Nota: El medidor de conductividad Elcometer 138 incluido en el kit de pruebas mide la conductividad de soluciones acuosas. El medidor NO está diseñado para medir sólidos, disolventes orgánicos, tensoactivos, grasa, adhesivos, alcohol, ácidos fuertes (pH: 0 a 2) o sustancias alcalinas fuertes (pH: 12 a 14). La vida del sensor será extremadamente corta si se miden estas sustancias.

^a Organización Marítima Internacional, Estándar de rendimiento para revestimientos protectores.

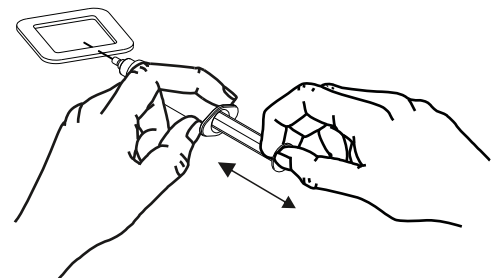
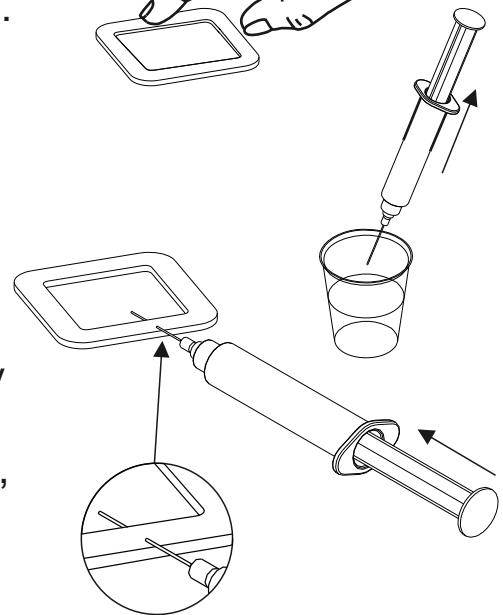
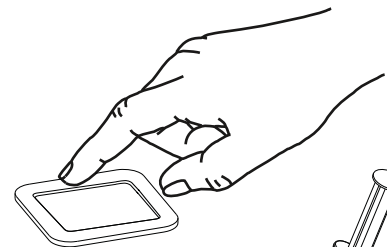
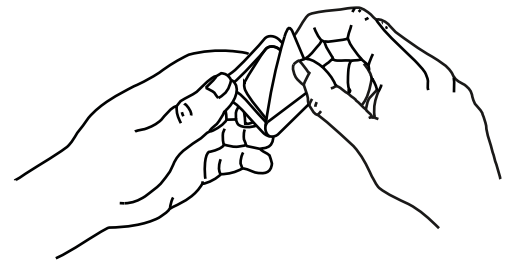
3 PROCEDIMIENTO DE PRUEBA: ISO 8502-6 / ISO 8502-9

3.1 ANTES DE COMENZAR

- 1 Calibre el medidor de conductividad; consulte la Sección 5.5 en la página es-10.
- 2 Dado que la prueba es extremadamente sensible, deben utilizarse guantes limpios de látex o nitrilo durante la extracción de sales solubles para evitar contaminar la superficie.

3.2 PROCEDIMIENTO DE PRUEBA

- 1 Retire el material posterior protector impreso y la parte central de espuma del parche Bresle.
- 2 Aplique el parche a la superficie presionando firmemente por todo el perímetro del parche para garantizar un sellado completo. Si se utiliza el parche de prueba Bresle Elcometer 135C, retire la cubierta protectora de película transparente utilizando la pestaña naranja.
- 3 Llene una jeringa con 3 ml de agua pura.
- 4 Introduzca la jeringa en el parche a través del perímetro esponjoso a un ángulo de aproximadamente 30° con respecto a la superficie sometida a prueba, de manera que traspase la espuma y llegue al compartimento formado por la película de elastómero y la superficie sometida a prueba. Si el parche se coloca en una posición difícil, doble la aguja si es preciso.
- 5 Inyecte el agua pura en el parche. No retire la aguja.
 - ▶ Si es preciso, puede extraerse aire a la jeringa y dejarlo que permanezca por encima del agua en el interior de la jeringa. Tenga cuidado de no volver a introducir aire durante los pasos 6 y 7.
- 6 Durante un periodo de tiempo adecuado^b, sin extraer la aguja, extraiga y reinyecte la solución al menos cuatro veces^c.

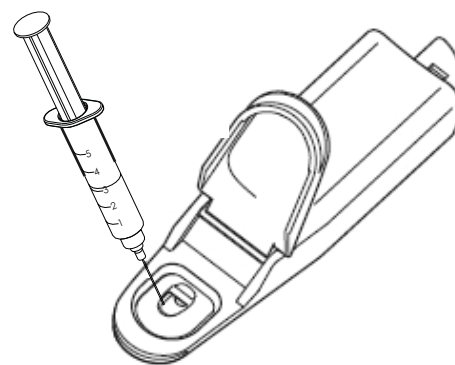


^b En áreas no picadas que se hayan limpiado mediante chorreado, se ha determinado satisfactorio un periodo de 10 minutos, aunque dicho tiempo deberá ser acordado por las partes interesadas.

^c Durante los pasos 6 y 7, es imprescindible que no se pierda solución. Si se pierde solución, deberá rechazarse la prueba.

3 PROCEDIMIENTO DE PRUEBA: ISO 8502-6 / ISO 8502-9 (cont.)

- 7 Al final del periodo, extraiga la mayor cantidad de solución posible y retire la jeringa del parche^c.
- 8 Mida la conductividad de la solución empleando el Medidor de conductividad Elcometer 138: consulte la sección 5.6 en la página es-11. Inyecte la muestra directamente en la celda del sensor. Enjuague la celda del sensor varias veces con la solución que se va a medir antes de tomar la lectura.



3.3 TRAS LA PRUEBA

- 1 Registre la temperatura de la solución.
- 2 Retire el parche de la superficie y limpie la superficie. Si es preciso, los residuos de adhesivo del parche en la superficie sometida a prueba pueden retirarse pasando un paño humedecido con un disolvente adecuado. Antes de utilizar el disolvente, asegúrese de que este no vaya a dañar la superficie.
- 3 Enjuague todos los componentes del kit de prueba, salvo el parche, en agua pura fresca. Los componentes se pueden volver a utilizar.

3.4 PARA CALCULAR LA DENSIDAD DE SALES EN LA SUPERFICIE

Multiplique la lectura por uno de los siguientes factores:

	Densidad de sales en la superficie: Factores ^d			
	Mezcla de sales ISO		NaCl equivalente de IMO PSPC	
Lectura	mg/m ²	µg/cm ²	mg/m ²	µg/cm ²
µS/cm	x1,2	x0,12	x1,1	x0,11

Nota: La norma ISO 8502-9 permite la medición del agua pura antes de la prueba y sustraer dicho valor del valor obtenido en el paso 8 de la sección 3.2 arriba indicada.

^c Durante los pasos 6 y 7, es imprescindible que no se pierda solución. Si se pierde solución, deberá rechazarse la prueba.

^d Para un área de 12,5 cm² y un volumen de 3 ml.

4 PROCEDIMIENTO DE PRUEBA: US NAVY PPI 63101-000

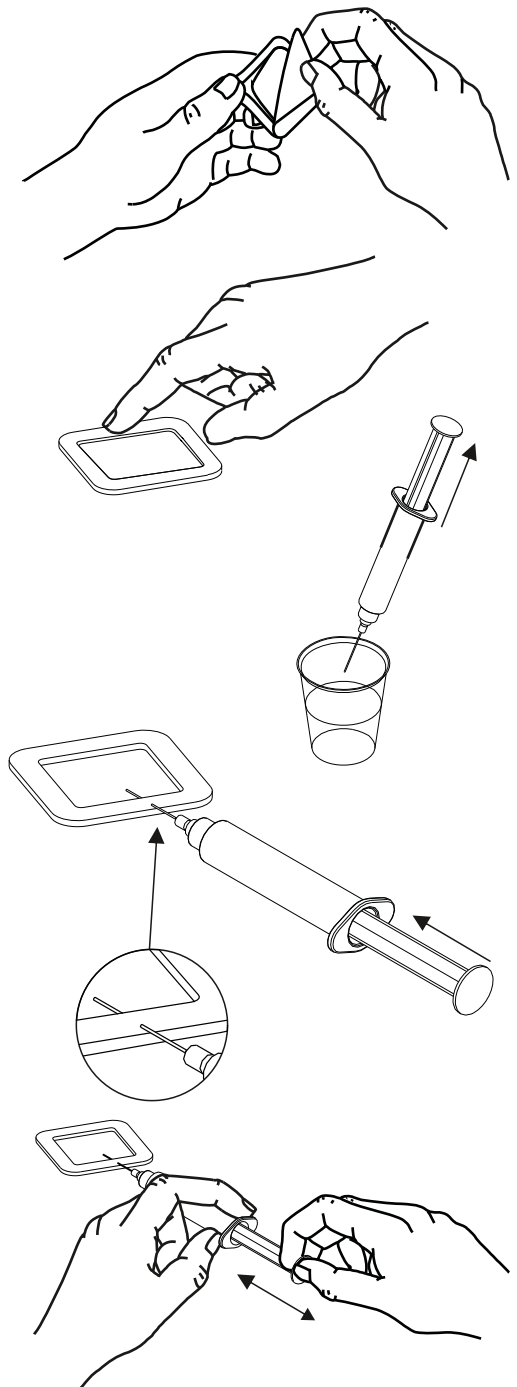
4.1 ANTES DE COMENZAR

- 1 Calibre el medidor de conductividad; consulte la Sección 5.5 en la página es-10.
- 2 Dado que la prueba es extremadamente sensible, deben utilizarse guantes limpios de látex o nitrilo durante la extracción de sales solubles para evitar contaminar la superficie.

4.2 PROCEDIMIENTO DE PRUEBA

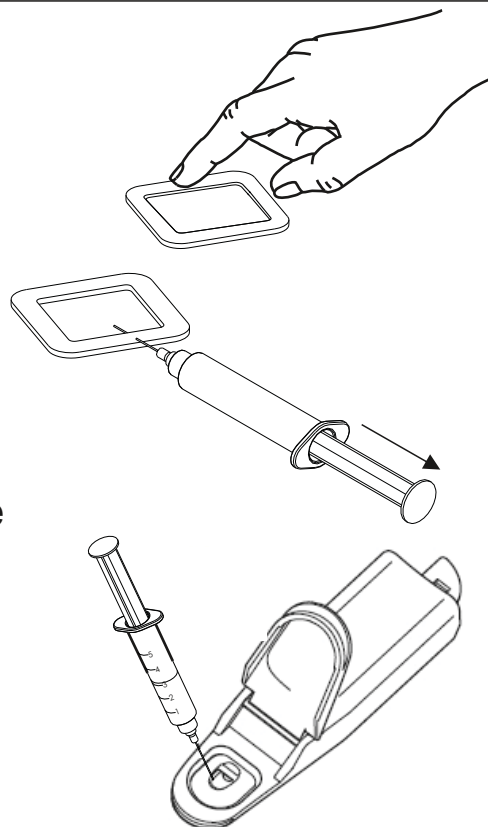
Las mediciones deben realizarse de forma aleatoria en la superficie preparada. Deben tomarse cinco mediciones cada 90 m² (1000 pies²). Deben tomarse cinco mediciones para áreas de menos de 90 m² (1000 pies²).

- 1 Retire el material posterior protector impreso y la parte central de espuma del parche Bresle.
- 2 Aplique el parche a la superficie presionando firmemente por todo el perímetro del parche para garantizar un sellado completo. Si se utiliza el parche de prueba Bresle Elcometer 135C, retire la cubierta protectora de película transparente utilizando la pestaña naranja.
- 3 Llene una jeringa con 3 ml de agua pura.
- 4 Introduzca la jeringa en el parche a través del perímetro esponjoso e inyecte 1,5 ml de agua pura en el parche. No retire la jeringa.
- 5 Con la jeringa aún en el parche, cambie de posición la aguja y evacúe el aire que pueda haber en el parche.
- 6 Una vez extraído el aire, inyecte los restantes 1,5 ml de agua pura.
- 7 Retire la jeringa del parche.



4 PROCEDIMIENTO DE PRUEBA: US NAVY PPI 63101-000 (cont.)

- 8 Frote la superficie del parche suavemente durante 10 o 15 segundos para permitir que el agua disuelva los contaminantes de la superficie.
- 9 Introduzca la jeringa en el parche a través del perímetro esponjoso y extraiga la solución del parche.
- 10 Mida la conductividad de la solución empleando el Medidor de conductividad Elcometer 138: consulte la sección 5.6 en la página es-11. Inyecte la muestra directamente en la celda del sensor. Enjuague la celda del sensor varias veces con la solución que se va a medir antes de tomar la lectura.



4.3 TRAS LA PRUEBA

- 1 Registre la temperatura de la solución.
- 2 Retire el parche de la superficie y limpie la superficie. Si es preciso, los residuos de adhesivo del parche en la superficie sometida a prueba pueden retirarse pasando un paño humedecido con un disolvente adecuado. Antes de utilizar el disolvente, asegúrese de que este no vaya a dañar la superficie.
- 3 Enjuague todos los componentes del kit de prueba, salvo el parche, en agua pura fresca. Los componentes se pueden volver a utilizar.

4.4 CRITERIOS DE PASA / FALLO

Para aplicaciones con inmersión, la conductividad debida a sales solubles (iónica total) no deberá superar 30 $\mu\text{S}/\text{cm}$.

Para aplicaciones sin inmersión, la conductividad debida a sales solubles no deberá superar 70 $\mu\text{S}/\text{cm}$.

Nota: Las tablas facilitadas por la Marina de EE.UU. (US Navy) para el cálculo de niveles de cloruro no son necesarias para este método de prueba. Póngase en contacto con Elcometer o con su proveedor local de Elcometer si necesita una copia de estas tablas.

5 UTILIZACIÓN DEL MEDIDOR DE CONDUCTIVIDAD

5.1 PRECAUCIÓN

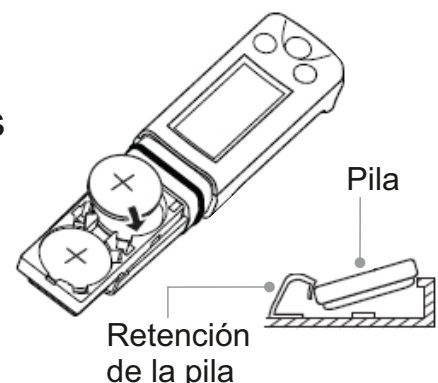
- No deje caer el medidor de conductividad.
- No ejerza nunca una fuerza excesiva al abrir el medidor (para cambiar las pilas o el sensor).
- No ejerza nunca una fuerza excesiva sobre el sensor.
- No permita que ningún utensilio (pinzas, pipeta, etc.) toque la celda del sensor.
- No mida muestras que tengan una temperatura superior a 40°C (105°F).
- No permita el contacto con disolventes.
- No someta el medidor de conductividad a temperaturas o humedad altas.
- Aunque el producto es impermeable, evite sumergirlo por completo. Si el medidor se cae al agua accidentalmente, sáquelo del agua y séquelo.

5.2 INSTALACIÓN DE LAS PILAS

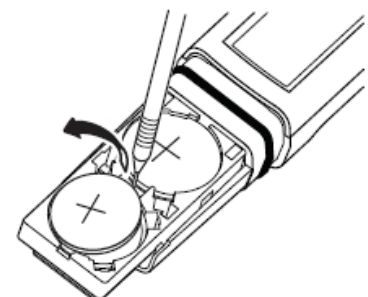
El medidor de conductividad Elcometer 138 solo utiliza pilas secas. Con el kit se suministran dos pilas de litio CR2032.

Para introducir o sustituir las pilas:

- 1 Coloque las pilas en las sujeciones de las pilas asegurándose de que están orientadas con la polaridad correcta.
- 2 Para volver a montar el medidor, deslice el sensor sobre el cuerpo del medidor y empuje el cuerpo y el sensor juntos con suavidad hasta que se enganche la retención.



Cuando la carga de la batería sea baja, parpadeará el indicador de advertencia de batería baja. Sustituya ambas pilas de inmediato.

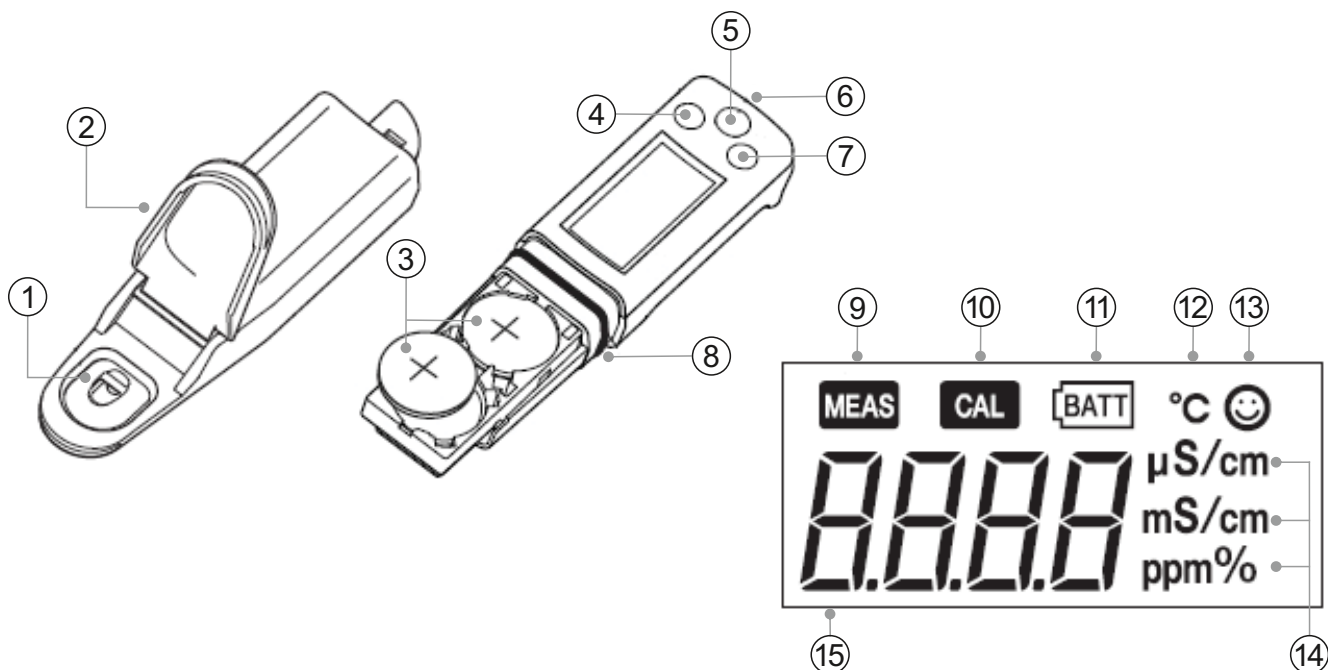


*Nota: Las baterías de litio deben desecharse con cuidado para evitar la contaminación del medio ambiente. Consulte a las autoridades locales en materia de medio ambiente para obtener información sobre cómo deshacerse de ellas en su región. **No arroje las pilas al fuego.***

5 UTILIZACIÓN DEL MEDIDOR DE CONDUCTIVIDAD (cont.)

5.3 CONTROLES Y PANTALLA

El medidor de conductividad Elcometer 138 se maneja mediante 3 botones y muestra las lecturas y otra información en la pantalla LCD.



GUÍA DEL MEDIDOR DE CONDUCTIVIDAD Y DE LOS INDICADORES DE LA PANTALLA

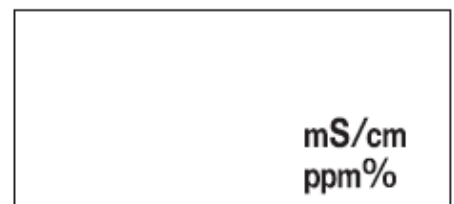
1	Celda de medición	Coloque una muestra líquida en esta celda para medirla con el electrodo situado en la parte inferior de la celda.
2	Tapa de protección	Protege la celda de medición y el sensor plano durante el almacenamiento.
3	Pilas de litio	CR2032 x 2
4	Botón MEAS	Cambia del modo de calibración al modo de medición, activa/desactiva la función de bloqueo de lectura en el modo de medición e inicia/aplica la configuración en el modo especial de configuración.
5	Botón ON/OFF	Enciende/apaga el medidor.
6	Orificio para correa	Permite ajustar a él una correa.
7	Botón CAL	Inicia la calibración y cambia elementos/configuraciones en el modo especial de configuración.
8	Junta de estanqueidad	Impermeabiliza el medidor.

5 UTILIZACIÓN DEL MEDIDOR DE CONDUCTIVIDAD (cont.)

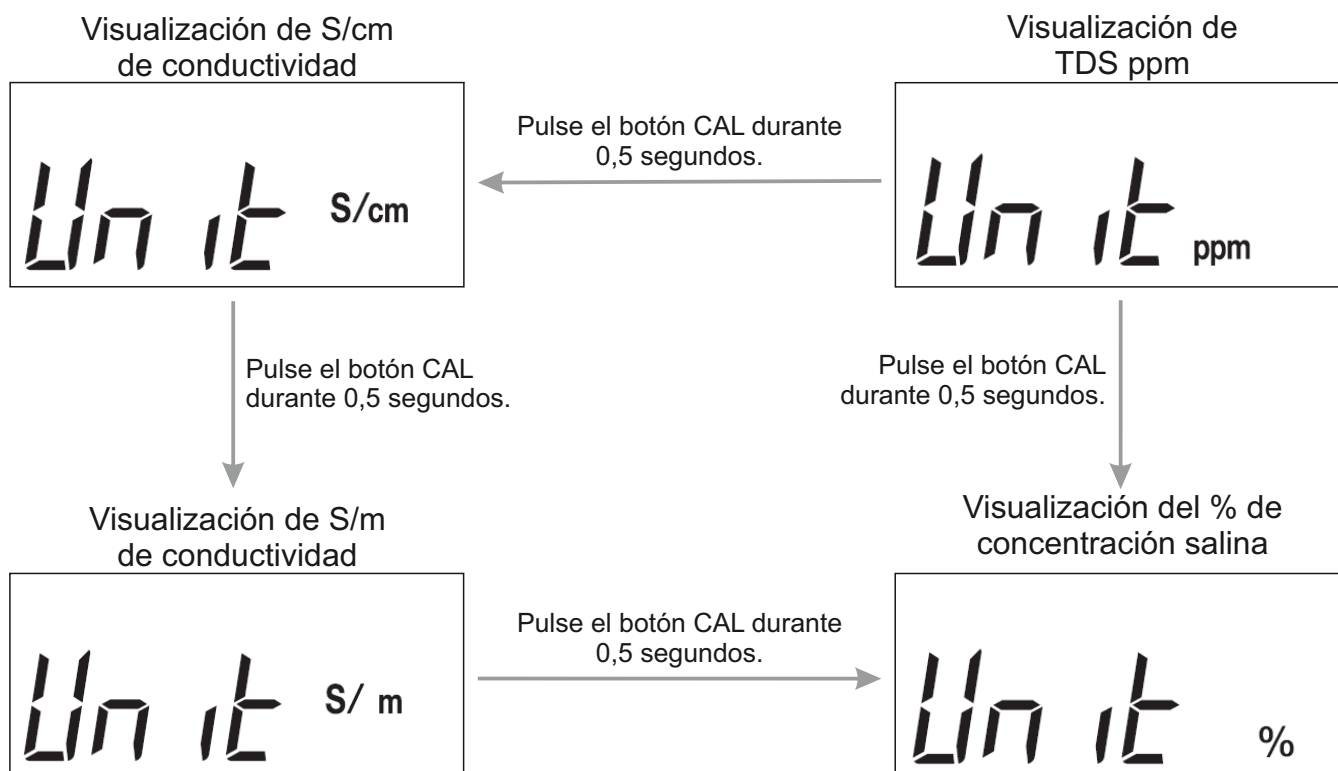
GUÍA DEL MEDIDOR DE CONDUCTIVIDAD Y DE LOS INDICADORES DE LA PANTALLA		
9	Icono MEAS	Parpadea hasta que el valor medido se estabiliza y se ilumina de forma permanente cuando se estabiliza el valor medido mientras está activa la función de bloqueo de lectura.
10	Icono CAL	Parpadea durante la calibración y se ilumina de forma permanente cuando finaliza la calibración.
11	Icono de alarma de pila	Se ilumina cuando las pilas tienen poca carga y deben ser sustituidas.
12	Icono de alarma de temperatura	Parpadea cuando la temperatura ambiental de la medición está fuera del rango de temperatura operativa especificado de 5°C a 40°C (de 41°F a 105°F).
13	Icono de estabilidad	Se ilumina cuando se estabiliza el valor medido.
14	Visualización de la unidad de medida	Se ilumina el símbolo de unidad correspondiente al valor mostrado en la visualización del valor medido (15). La configuración por defecto es 'S/cm'.
15	Visualización del valor medido	Muestra un valor medido, establecido y de estado.

5.4 AJUSTE DE LA UNIDAD DE MEDIDA

- 1 Mantenga pulsado el botón **MEAS** durante más de 3 segundos en el modo de medición para acceder al modo especial de configuración. Todos los elementos aparecen en la pantalla LCD, tras lo cual la pantalla cambia de la forma mostrada.
- 2 Pulse el botón **MEAS** durante 0,5 segundos. Se mostrará la configuración actual.
- 3 Pulse el botón **CAL** durante 0,5 segundos para cambiar la configuración. Al pulsar el botón **CAL** continuamente, la configuración cambia secuencialmente (consulte el diagrama de la página es-10).
- 4 Pulse el botón **MEAS** para aplicar la configuración. El instrumento regresará al modo de medición.

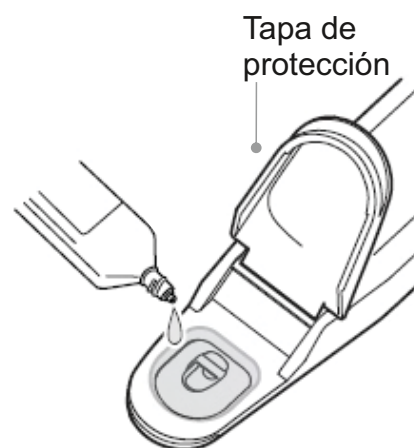
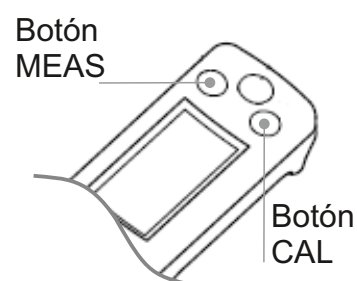


5 UTILIZACIÓN DEL MEDIDOR DE CONDUCTIVIDAD (cont.)



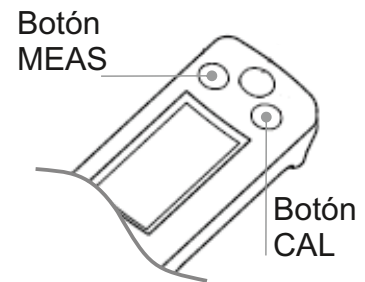
5.5 CALIBRACIÓN EN UN PUNTO

- 1 Para establecer la 'Calibración en un solo punto', encienda el medidor y mantenga pulsado el botón **MEAS** durante 3 segundos. Pulse el botón **CAL** hasta que aparezca **CAL**.
- 2 Pulse el botón **MEAS** de nuevo durante 0,5 segundos, tras lo cual se mostrará el tipo de calibración (1 o 2). Pulse el botón **CAL** para cambiar la configuración a 1 si es preciso y pulse de nuevo **MEAS** para aplicar la configuración.
- 3 Abra la tapa de protección y coloque unas gotas de los 1,41 mS/cm de solución estándar en la celda de medición. Es posible que la calibración sea más precisa si lava previamente el sensor con solución estándar.



5 UTILIZACIÓN DEL MEDIDOR DE CONDUCTIVIDAD (cont.)

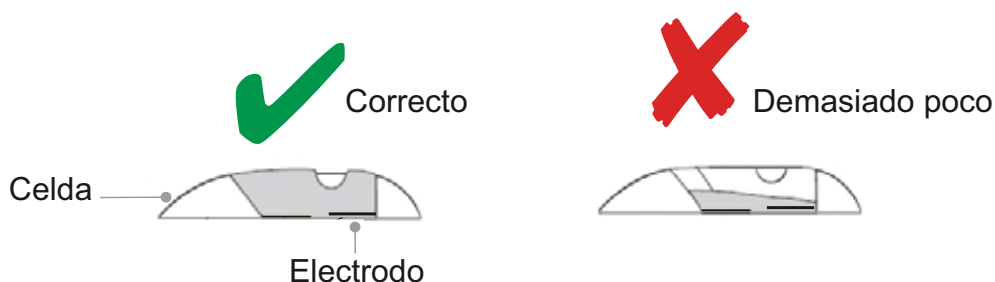
- 4 Cierre la tapa de protección y pulse el botón CAL durante 2 segundos. Parpadearán **CAL** y ☺ y se mostrará el valor de calibración. Una vez finalizada la calibración, **CAL** y ☺ dejarán de parpadear y se iluminarán permanentemente.
- 5 Lave el sensor con agua corriente y seque la humedad residual.
- 6 Pulse el botón **MEAS** durante 0,5 segundos para acceder al modo de medición y prepararse para la medición.



Nota: El medidor de conductividad Elcometer 138 dispone de un modo de calibración en dos puntos. Para obtener detalles, consulte las instrucciones de funcionamiento completas del Elcometer 138, que se encuentran disponibles para descarga en nuestra web. El modo de calibración en dos puntos requiere dos soluciones estándar.

5.6 TOMA DE UNA LECTURA

- 1 Pulse el botón de ON/OFF para encender el medidor.
- 2 Abra la cubierta protectora y coloque unas gotas de la muestra en el sensor.
 - ▶ Coloque una cantidad adecuada de la muestra de prueba en la celda de medición asegurándose de que no contenga burbujas. Las burbujas de la solución puede provocar que la medición de la conductividad sea incorrecta.



- 3 Cierre la tapa de protección.
 - ▶ El aire del ambiente puede provocar que los valores de medición fluctúen. Para reducir la interferencia ambiental, cierre la tapa de protección.

Sin utilizar la función de bloqueo de lectura:

- 4 Lea el valor mostrado cuando aparezca ☺ .



5 UTILIZACIÓN DEL MEDIDOR DE CONDUCTIVIDAD (cont.)

Al utilizar la función de bloqueo de lectura[°]:

- 4 Después de que aparezca 😊, pulse el botón **MEAS** durante 0,5 segundos. Se activa la función de bloqueo de lectura. **MEAS** parpadea hasta que se estabiliza el valor medido. Cuando el valor medido se estabiliza, **MEAS** deja de parpadear, el valor mostrado se bloquea y **MEAS** y 😊 se iluminan permanentemente.
- 5 Lea el valor mostrado.
- 6 Pulse el botón **MEAS** durante 0,5 segundos. Se desactiva la función de bloqueo de lectura y **MEAS** desaparece.



Nota: Si un resultado de medición queda fuera del rango de medición establecido, el valor de medida mostrado parpadeará.

5.7 TRAS LA MEDICIÓN

- 1 Pulse el botón de ON/OFF para apagar el medidor.
- 2 Lave el sensor con agua del grifo y seque el agua residual empleando una toallita limpia.
- 3 Vuelva a colocar la tapa de protección del sensor.

Nota: Si el medidor no se va a utilizar durante largo tiempo, utilice agua pura en lugar de agua del grifo para lavar el sensor.

6 CONSERVACIÓN Y MANTENIMIENTO

El medidor de conductividad Elcometer 138 está diseñado para ofrecer años de servicio fiable en condiciones de utilización normales.

- La no utilización durante periodos prolongados puede provocar que el sensor se seque. Ello puede ocasionar un funcionamiento erróneo o lecturas inestables. Vierta solución humectante en la celda del sensor y déjela durante unos minutos para que el sensor se sature. Lave el sensor con agua antes de usarlo.
- Si la superficie de medición del sensor está contaminada o si hay normalmente burbujas de aire en la muestra, limpie el sensor empleando detergente neutro diluido (100 veces).

[°] Al utilizar la función de bloqueo de lectura, desactive la función antes de comenzar cada medición.

6 CONSERVACIÓN Y MANTENIMIENTO (continuación)

- El medidor de conductividad Elcometer 138 incorpora una pantalla de cristal líquido. Si la pantalla se calienta por encima de 50°C (120°F), puede resultar dañada. Esto puede suceder si el medidor de conductividad se deja en un vehículo estacionado al sol.
- Guarde siempre los componentes del Kit y parches Bresle Elcometer 138 en el maletín de transporte cuando el kit no se esté utilizando.

El medidor de conductividad Elcometer 138 no contiene componentes que pueda reparar el usuario. En el caso improbable de que se produzca un fallo, el medidor deberá devolverse al proveedor local de Elcometer o directamente a Elcometer Limited –encontrará los datos de contacto en nuestra web: www.elcometer.com. La garantía quedará anulada si se ha abierto el instrumento.

7 ESPECIFICACIONES TÉCNICAS

7.1 PARCHES BRESLE		
Tamaño del parche	5 cm x 5 cm	
Área de la prueba	12,5 cm ²	
Volumen de muestra	3 ml	
7.2 MEDIDOR DE CONDUCTIVIDAD		
Método de medición	Método 2 AC bipolar	
Modo de medición	Conductividad	
Rango de conductividad y repetibilidad	0 - 199 µS/cm	±5 µS/cm
	0,2 - 1,99 mS/cm	±0,05 mS/cm
	2 - 19,9 mS/cm	±0,5 mS/cm
Pantalla	Pantalla de cristal líquido (LCD); 2½ dígitos	
Temperatura de medición	De 5°C a 40°C (de 41°F a 105°F)	
Dimensiones	164 x 29 x 20 mm (6,5 x 1,1 x 0,79 pulgadas)	
Peso	47g (1,7 oz) - incluidas pilas	
Tipo de pila	2 pilas de litio CR2032	

8 REPUESTOS Y ACCESORIOS

Aunque el kit Bresle Elcometer 138 se suministra con todos los artículos necesarios para comenzar a tomar mediciones, es posible que, con el paso del tiempo, sea necesario sustituir artículos. Los siguientes artículos pueden adquirirse de Elcometer o de su suministrador local de productos Elcometer.

8.1 SOLUCIONES DE CALIBRACION ELCOMETER 138

Descripción	Número de pieza
Solución de calibración estándar de 1,41 mS/cm; (1410 μ S/cm) 6 botes de 14 ml (0,47 oz. fl.)	T13823926
Solución de calibración estándar de 12,9 mS/cm; (12900 μ S/cm) 6 botes de 14 ml (0,47 oz. fl.)	T13824404
Solución de calibración estándar de 447 μ S/cm (0,447 mS/cm); 4 bolsitas de un solo uso de 20ml (0,74 oz. fl.)	T13827352-1
Solución de calibración estándar de 1413 μ S/cm (1,413 mS/cm); 4 bolsitas de un solo uso de 20ml (0,74 oz. fl.)	T13827352-2
Solución de calibración estándar de 15000 μ S/cm (15 mS/cm); 4 bolsitas de un solo uso de 20ml (0,74 oz. fl.)	T13827352-3

8.2 PARCHES BRESLE

Descripción	Número de pieza
Parche Bresle Elcometer 135B, paquete de 25	E135----B
Parche de prueba Bresle Elcometer 135C, paquete de 25	E135----C25
Parche de prueba Bresle Elcometer 135C, paquete de 100	E135----C100

8.3 ACCESORIOS VARIOS

Descripción	Número de pieza
Medidor de conductividad Elcometer 138	T13823925
Sensor de repuesto para medidor de conductividad	T13823928
Botella de agua pura; 250 ml (8,5 oz. fl.)	T13827259
Jeringas de 5 ml (0,17 oz. fl.); 3	T13818517
Agujas (romas); 3	T13818518
Probeta de plástico; 30 ml (1 oz. fl.)	T13818519

9 AVISOS LEGALES E INFORMACIÓN SOBRE LA NORMATIVA

Este producto cumple la Directiva de compatibilidad electromagnética.

Este producto es un equipo de Clase B, Grupo 1 ISM, conforme a las normas CISPR 11.

Producto de Grupo 1 ISM: Producto que genera y/o utiliza intencionadamente energía de radiofrecuencia de acoplamiento conductivo necesaria para el funcionamiento interno del propio equipo.

Producto de clase B: Es apto para su uso en entornos domésticos y establecimientos conectados directamente a una red de suministro de baja tensión que suministre a edificios dedicados a uso residencial.

elcometer® es una marca comercial registrada de Elcometer Limited, Edge Lane, Manchester, M43 6BU. Reino Unido

Todas las demás marcas comerciales se dan por reconocidas.

El Kit y parches Bresle Elcometer 138 se suministran en un embalaje de cartón. Asegúrese de que este embalaje se desecha de forma respetuosa con el medio ambiente. Consulte a las autoridades locales en materia medioambiental para obtener información.

PRECAUCIÓN



Las agujas suministradas para su uso con este kit son romas, pero es necesario tener cuidado al utilizarlas o desecharlas para evitar heridas que pudieran producirse al clavárselas accidentalmente. Es recomendable que las agujas se desechen como residuo especial y no con el resto de los residuos.



Si la solución estándar utilizada para la calibración del medidor entra en contacto con la piel, lávese la piel con agua fresca. Si la solución estándar entra en contacto con los ojos, enjuáguese los ojos de inmediato con abundante agua fresca y acuda al médico.



Gebruikershandleiding

Elcometer 138
Bresle-kit & patches

INHOUDSOPGAVE

Sectie	Pagina	
1	Overzicht	nl-2
2	Doosinhoud	nl-2
3	Testprocedure: ISO 8502-6 / ISO 8502-9	nl-3
4	Testprocedure: US Navy PPI 63101-000	nl-5
5	Gebruik van de geleidingsmeter	nl-7
6	Verzorging & onderhoud	nl-12
7	Technische specificaties	nl-13
8	Reserveonderdelen & accessoires	nl-14
9	Juridische kennisgevingen & wettelijke informatie	nl-15



Raadpleeg de originele Engelse versie om twijfel uit te sluiten.

Afmetingen van kit: 346 x 292 x 84 mm (13,6 x 11,5 x 3,3")

Gewicht van kit: 1,1 kg (2 lb. 7 oz.)

Materiaal Veiligheidsblad voor de Elcometer 138 Standaard Kalibratie Oplossing is beschikbaar via onze website:

http://www.elcometer.com/images/stories/MSDS/elcometer_138_b771_calibration_solution.pdf

http://www.elcometer.com/images/stories/MSDS/Calibration_Solution_T13827352-1_to_T13827352-3_EU.pdf

http://www.elcometer.com/images/stories/MSDS/Calibration_Solution_T13827352-1_to_T13827352-3_Americas.pdf

© Elcometer Limited 2009-2016. Alle rechten voorbehouden. Niets van dit document mag worden gereproduceerd, overgedragen, getranscribeerd, opgeslagen (in een retrievalsysteem of anderszins) of vertaald in enige taal, in enige vorm of door enig middel (elektronisch, mechanisch, magnetisch, optisch, handmatig of anderszins) zonder de voorafgaande schriftelijke toestemming van Elcometer Limited.

1 OVERZICHT

De Elcometer 138 Bresle-kit & patches bevat al de materialen en apparatuur om het chlorideverontreinigingsniveau van een oppervlak te bepalen.

Chloridezouten worden met de Bresle-patchmethode van het oppervlak losgeweekt. Het chlorideniveau van de testoplossing wordt gemeten met een geleidingsmeter.

Deze gebruiksaanwijzing bevat twee testmethoden:

- ISO 8502-6 / ISO8502-9
- US NAVY PPI 63101-000 (Rev 27)

U kunt de Elcometer 138 Bresle-kit & patches ook gebruiken in overeenstemming met ISO 8502-11, AS 3894.6-A en SSPC Richtlijn 15.

Voor IMO PSPC^a moet u het oppervlakprofiel meten en opslaan. Dit kunt u doen met de Elcometer 138 Bresle-kit & patches.

2 DOOSINHOUD

- Elcometer 135B Bresle-patch, pakket van 25 stuks, of:
Elcometer 135C Bresle-testpatch, pakket van 25 stuks
(afhankelijk van de bestelde kit)
- Elcometer 138 geleidingsmeter & sensor
- Standaard kalibratieoplossing 1,41 mS/cm; 14 ml (0,47 fl. oz.)
- Bevochtigingsoplossing; 14 ml (0,47 fl. oz.)
- Fles gedemineraliseerd water; 250 ml (8,5 fl. oz.)
- Spuit, 5 ml (0,17 fl. oz.); 3x
- Naald (stomp); 3x
- Plastic maatbeker; 30 ml (1 fl. oz.)
- CR2032 lithium batterijen; 2x
- Reiskoffer
- Gebruikershandleiding

Opmerking: De Elcometer 138 geleidingsmeter uit de testkit meet de geleiding van waterige oplossingen. De meter is NIET geschikt voor het meten van vaste stoffen, organische oplosmiddelen, oppervlakreactieve stoffen, olie, alcohol, sterke zuren (pH: 0 tot 2) of sterk alkalische stoffen (pH: 12 tot 14). De sensor zal maar heel kort meegaan als u deze substanties meet.

^a Internationale Maritieme Organisatie, Prestatienormen voor Beschermende Coatings.

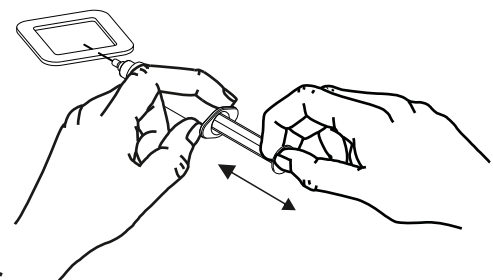
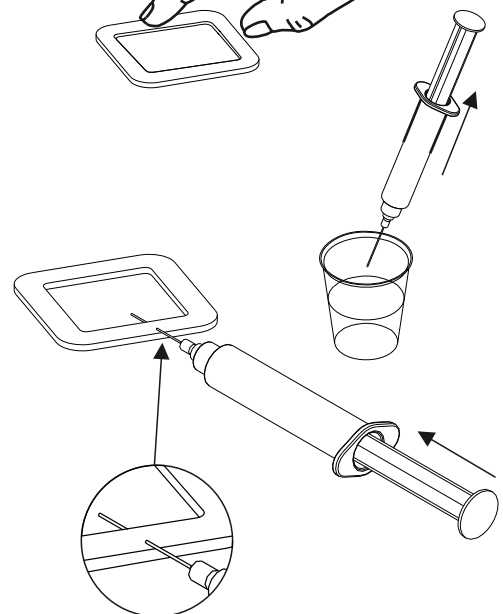
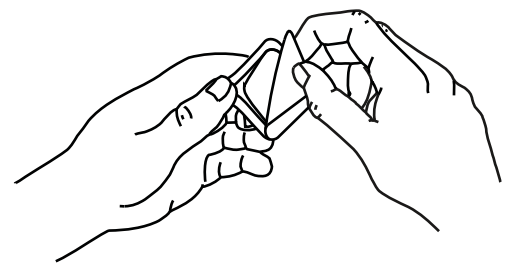
3 TESTPROCEDURE: ISO 8502-6 / ISO 8502-9

3.1 VOORDAT U BEGINT

- 1 Kalibreer de geleidingsmeter, zie Sectie 5.5 op pagina nl-10.
- 2 Aangezien de test extreem gevoelig is, dient u tijdens het losweken van de oplosbare zouten schone handschoenen te dragen van latex of nitril om te voorkomen dat het oppervlak verontreinigd raakt.

3.2 TESTPROCEDURE

- 1 Verwijder de bedrukte beschermende schutfilm van de Bresle-patch. Verwijder ook het uit de schuimlaag uitgestanste vierkant in het midden van de Bresle-patch.
- 2 Druk de patch stevig aan rond de gehele omtrek om ervoor te zorgen dat deze alles volledig afsluit. Als u Elcometer 135C Bresle-testpatches gebruikt, moet u de doorzichtige beschermende schutfilm verwijderen door middel van het oranje hoekje.
- 3 Vul een spuit met 3 ml gedemineraliseerd water.
- 4 Breng de spuit in de patch door deze aan het uiteinde van de patch onder een hoek van 30° door de schuimlaag te prikken zodat de naald in het testcompartiment uitkomt dat zich bevindt tussen de elastomeren film en het testoppervlak. Als de patch op een lastige positie is aangebracht, buigt u de naald naar behoeven.
- 5 Injecteer het zuivere water in de patch. Houd de naald in de patch.
 - ▶ Indien nodig kunt u met de spuit lucht uitzuigen en deze vasthouden in de spuit boven het water. Zorg dat u bij stap 6 en 7 niet opnieuw lucht inbrengt.
- 6 Gedurende een toepasselijke periode^b moet u de oplossing ten minste vier keer opzuigen en weer inspuiten zonder de naald uit de patch te halen^c.

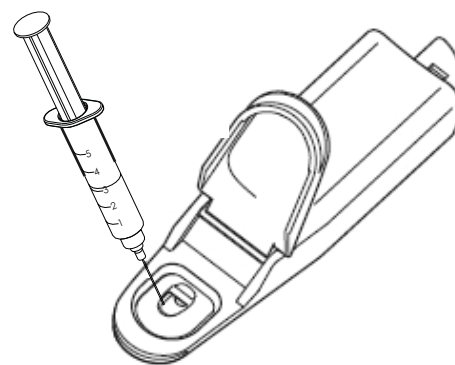


^b Voor geëgaliseerde, gestraalde oppervlakken is een periode van 10 minuten voldoende, maar deze periode moet u afspreken met de betrokken partijen.

^c Tijdens stap 6 en 7 is het van groot belang dat u geen oplossing verspeelt. Als er oplossing wordt verspeeld, is de test niet geldig.

3 TESTPROCEDURE: ISO 8502-6 / ISO 8502-9 (vervolg)

- 7 Zuig aan het einde van de periode zo veel mogelijk oplossing op en trek de spuit uit de patch^c.
- 8 Meet de geleiding van de oplossing met de Elcometer 138 geleidingsmeter, zie Sectie 5.6 op pagina nl-11. Spuit het vloeistofmonster direct in de sensorcel. Spoel de sensorcel verschillende keren met de te meten oplossing voordat u de meting verricht.



3.3 NA DE TEST

- 1 Registreer de temperatuur van de oplossing.
- 2 Haal de patch van het oppervlak en reinig het oppervlak. Indien nodig kunt u lijmresten van de Brestle-patch verwijderen door het oppervlak te boenen met een doek en een geschikt reinigingsmiddel. Controleer voor gebruik of het oplosmiddel het oppervlak niet beschadigt.
- 3 Spoel alle onderdelen (met uitzondering van de patch) van de testkit om met vers, zuiver water. Daarna kunt u de onderdelen opnieuw gebruiken.

3.4 DE ZOUTDICHTHEID VAN OPPERVLAKKEN BEREKENEN

Vermenigvuldig de meting met een van de volgende factoren:

	Zoutdichtheid van oppervlakken: Factoren ^d			
	ISO Zoutmix		IMO PSPC equivalent NaCl	
Meting	mg/m ²	µg/cm ²	mg/m ²	µg/cm ²
µS/cm	x1,2	x0,12	x1,1	x0,11

Opmerking: ISO 8502-9 staat het meten van het demi-water toe voor de test waarna deze waarde van de verkregen waarde in sectie 3.2 stap 8 (zie hierboven).

^c Tijdens stap 6 en 7 is het van groot belang dat u geen oplossing verspeelt. Als er oplossing wordt verspeeld, is de test niet geldig.

^d Gebaseerd op een oppervlak van 12,5 cm² en een volume van 3 ml.

4 TESTPROCEDURE: US NAVY PPI 63101-000

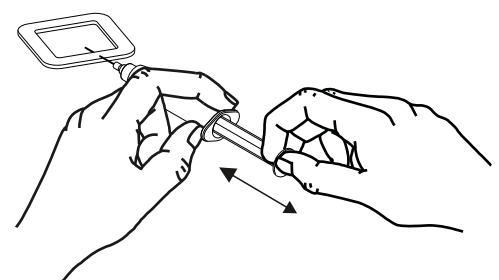
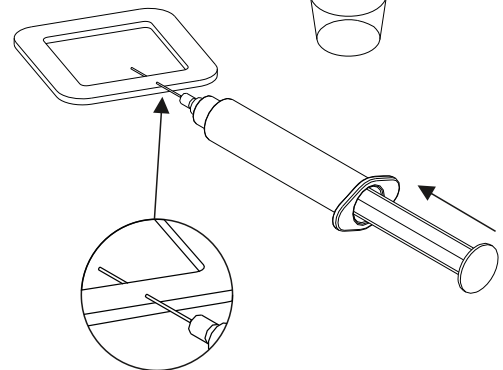
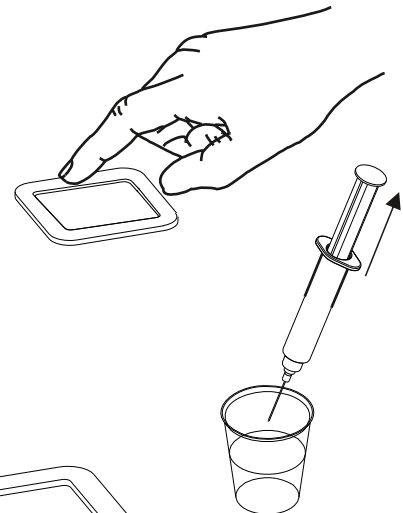
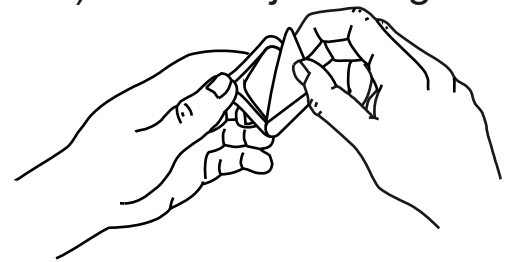
3.1 VOORDAT U BEGINT

- 1 Kalibreer de geleidingsmeter, zie Sectie 5.5 op pagina nl-10.
- 2 Aangezien de test extreem gevoelig is, dient u tijdens het losweken van de oplosbare zouten schone handschoenen te dragen van latex of nitril om te voorkomen dat het oppervlak verontreinigd raakt.

4.2 TESTPROCEDURE

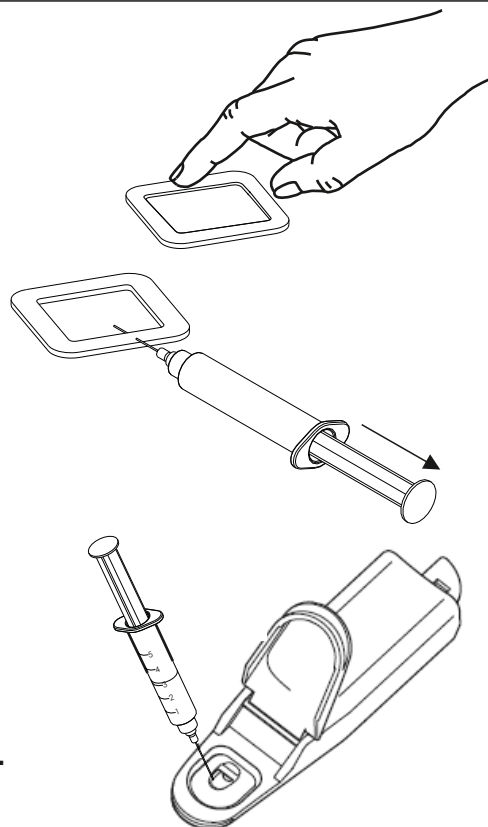
Verricht metingen op willekeurig gekozen plekken op het voorbereide oppervlak. Op elke 90 m² (1000 ft²) dient u vijf metingen te verrichten. Op oppervlakken van minder dan 90 m² (1000 ft²) dient u vijf metingen te verrichten.

- 1 Verwijder de bedrukte beschermende schutfilm van de Bresle-patch. Verwijder ook het uit de schuimlaag uitgestanste vierkant in het midden van de Bresle-patch.
- 2 Druk de patch stevig aan rond de gehele omtrek om ervoor te zorgen dat deze alles volledig afsluit. Als u Elcometer 135C Bresle-testpatches gebruikt, moet u de doorzichtige beschermende schutfilm verwijderen door middel van het oranje hoekje.
- 3 Vul een spuit met 3 ml gedemineraliseerd water.
- 4 Breng de naald in de patch door deze aan het uiteinde van de patch door de schuimlaag te prikken. Spuit 1,5 ml gedemineraliseerd water in de patch. Houd de naald in de patch.
- 5 Draai de naald in de patch naar de luchtbellen en zuig met de spuit de lucht op. Zuig op deze manier alle lucht uit de patch.
- 6 Als alle lucht is verwijderd, spuit u de overige 1,5 ml zuiver water in.
- 7 Haal de spuit uit de patch.



4 TESTPROCEDURE: US NAVY PPI 63101-000 (vervolg)

- 8 Masseer voorzichtig het oppervlak van de patch 10 tot 15 seconden zodat de verontreiniging van het oppervlak kan oplossen in het water.
- 9 Breng de naald in de patch door deze aan het uiteinde van de patch door de schuimlaag te prikken en zuig de oplossing uit de patch.
- 10 Meet de geleiding van de oplossing met de Elcometer 138 geleidingsmeter, zie Sectie 5.6 op pagina nl-11. Spuit het vloeistofmonster direct in de sensorcel. Spoel de sensorcel verschillende keren met de te meten oplossing voordat u de meting verricht.



4.3 NA DE TEST

- 1 Registreer de temperatuur van de oplossing.
- 2 Haal de patch van het oppervlak en reinig het oppervlak. Indien nodig kunt u lijmresten van de Brestle-patch verwijderen door het oppervlak te boenen met een doek en een geschikt reinigingsmiddel. Controleer voor gebruik of het oplosmiddel het oppervlak niet beschadigt.
- 3 Spoel alle onderdelen (met uitzondering van de patch) van de testkit om met vers, zuiver water. Daarna kunt u de onderdelen opnieuw gebruiken.

4.4 KEURCRITERIA

De geleidbaarheid op basis van oplosbare zouten (volledig ionisch) mag bij onderdompelen van de sensor in de oplossing niet hoger zijn dan 30 $\mu\text{S}/\text{cm}$.

De geleidbaarheid op basis van oplosbare zouten mag bij druppelen van de oplossing in de sensorcel niet hoger zijn dan 70 $\mu\text{S}/\text{cm}$.

Opmerking: De tabellen van de Amerikaanse marine voor de berekening van het chlorideniveau worden niet vereist voor deze testmethode. Neem contact op met Elcometer of uw lokale Elcometer-leverancier als u een exemplaar van deze tabellen nodig hebt.

5 GEBRUIK VAN DE GELEIDINGSMETER

5.1 WAARSCHUWING

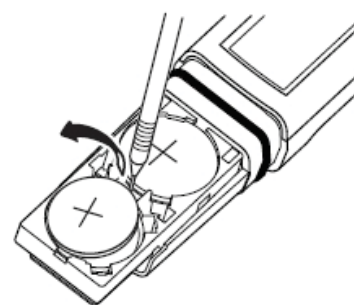
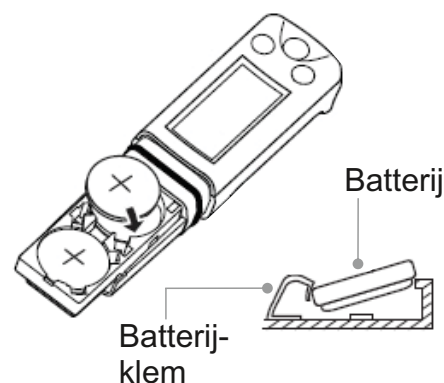
- Laat de geleidingsmeter niet vallen.
- Oefen geen overdadige krachten uit op de meter als u deze opent (om de batterijen of de sensor te vervangen).
- Oefen geen overdadige krachten uit op de sensor.
- Raak de sensorcel niet aan met gereedschappen als een pincet of pipet enz.
- Meet geen vloeistofmonsters met een temperatuur boven de 40 °C (105 °F).
- Laat de meter niet in contact komen met oplosmiddelen.
- Stel de geleidingsmeter niet bloot aan hoge temperaturen of een hoge vochtigheidsgraad.
- Hoewel dit product waterdicht is, moet u het niet volledig in water onderdompelen. Haal het product uit het water en droog het af als het per ongeluk in het water valt.

5.2 BATTERIJEN PLAATSEN

De Elcometer 138 geleidingsmeter is uitsluitend geschikt voor gebruik met drogecel-batterijen. Twee CR2032 lithium batterijen maken onderdeel uit van de kit.

Om batterijen te plaatsen of te vervangen gaat u als volgt te werk:

- 1 Plaats de batterijen in de batterijklemmen en neem bij het plaatsen de polariteit in acht.
- 2 Om de meter weer in elkaar te zetten, schuift u het sensorgedeelte op het huis en drukt u beide delen voorzichtig op elkaar tot de borgklem vastgrijpt.



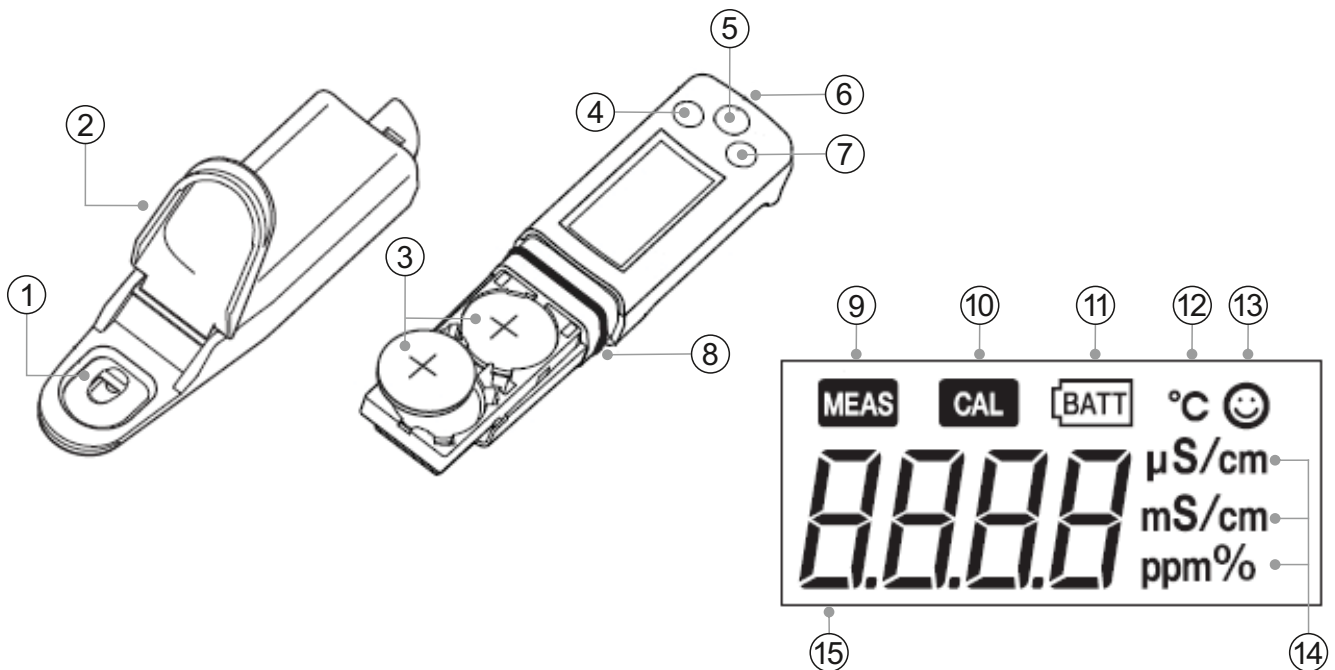
Als de batterijspanning te laag is, knippert de waarschuwingsindicator voor lage batterijspanning. Vervang in dat geval direct beide batterijen.

Opmerking: U dient lithium batterijen voorzichtig af te voeren om milieuverontreiniging te voorkomen. Neem contact op met de milieufdeling van uw gemeente voor informatie over het inleveren. Gooi batterijen nooit in vuur.

5 GEBRUIK VAN DE GELEIDINGSMETER (vervolg)

5.3 BEDIENINGSKNOPPEN EN WEERGAVESCHERM

De Elcometer 138 geleidingsmeter wordt bediend met 3 knoppen en de metingen en andere informatie wordt weergegeven op een lcd-scherm.



LEIDRAAD VOOR DE GELEIDINGSMETER & INDICATOREN IN HET WEERGAVESCHERM

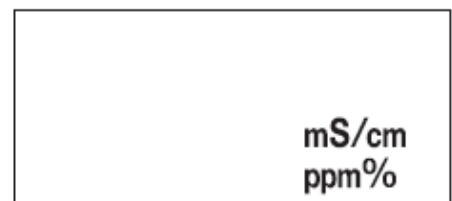
1	Meetcel	Druppel een vloeistofmonster in deze cel om het te meten met de elektrode op de bodem van de cel.
2	Beschermkap	Beschermt de meetcel en sensor als de meter is opgeslagen.
3	Lithium batterijen	CR2032 x 2
4	Meetknop (MEAS)	Schakelt tussen kalibratiemodus en meetmodus, activeert/deactiveert de vergrendelingsfunctie van de meetwaarde in meetmodus en start de modus speciale instellingen en past daar instellingen toe.
5	Aan/uit-knop (ON/OFF)	Schakelt de meter in/uit.
6	Riemoog	Hier kunt u een riem bevestigen.
7	Kalibratieknop (CAL)	Start kalibratie en schakelt tussen items/instellingen in de modus speciale instellingen.
8	Waterdichte pakking	Maakt de meter waterdicht.

5 GEBRUIK VAN DE GELEIDINGSMETER (vervolg)

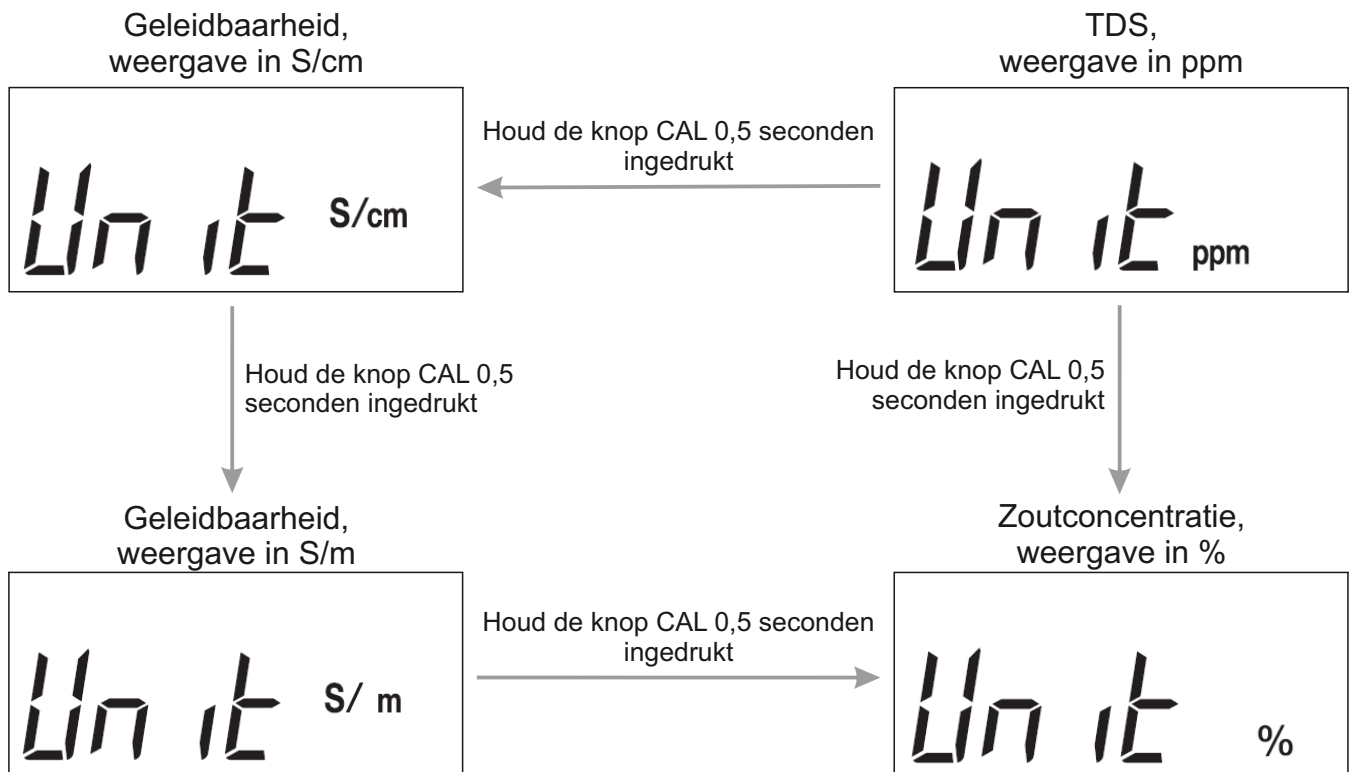
LEIDRAAD VOOR DE GELEIDINGSMETER & INDICATOREN IN HET WEERGAVESCHERM		
9	Meeticoon (MEAS)	Knippert totdat de gemeten waarde gestabiliseerd is en blijft constant branden als de gemeten waarde stabiel is (bij actieve vergrendelingsfunctie van de meetwaarde).
10	Kalibratie-icoon (CAL)	Knippert tijdens het kalibreren en blijft branden als de kalibratie is beëindigd.
11	Icoon batterij-alarm	Licht op als de batterijspanning te laag is en de batterijen vervangen moeten worden.
12	Icoon temperatuuralarm	Knippert als de temperatuur van de meetomgeving niet voldoet aan de gespecificeerde bedrijfstemperatuur van 5 °C tot 40 °C (41 °F tot 105 °F).
13	Stabiliteitsicoon	Licht op als de gemeten waarde stabiel is.
14	Weergave eenheid van meetwaarde	Hier licht het symbool op van de eenheid die hoort bij de gemeten waarde in het weergavevenster (15). De standaardinstelling is 'S/cm'.
15	Weergave meetwaarde	Toont de gemeten of ingestelde waarde en de status.

5.4 EEN EENHEID KIEZEN

- 1 Houd de knop **MEAS** vanuit de meetmodus 3 seconden ingedrukt om te komen in de modus speciale instellingen. Alle items verschijnen in het lcd-scherm en vervolgens wijzigt het in de weergave die hier wordt getoond.
- 2 Houd de knop **MEAS** 0,5 seconden ingedrukt. De huidige instelling wordt getoond.
- 3 Houd de knop **CAL** 0,5 seconden ingedrukt om de instelling te wijzigen. Door de knop **CAL** ingedrukt te houden, wordt de instelling doorgaand gewijzigd (zie diagram op pagina nl-10).
- 4 Druk op de knop **MEAS** om de instelling toe te passen. Het instrument keert terug naar de meetmodus.

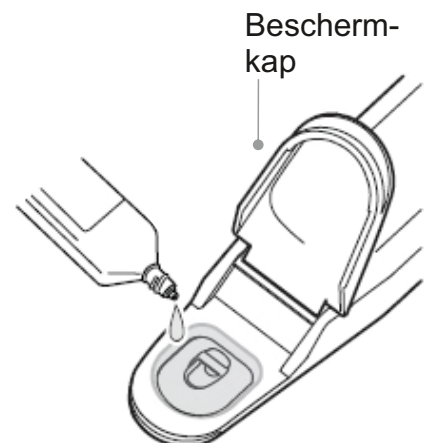
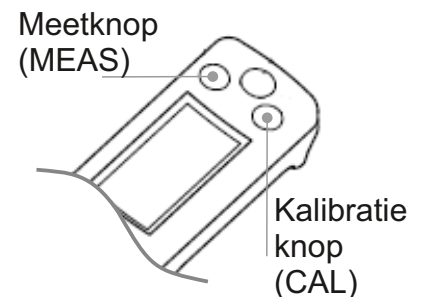


5 GEBRUIK VAN DE GELEIDINGSMETER (vervolg)



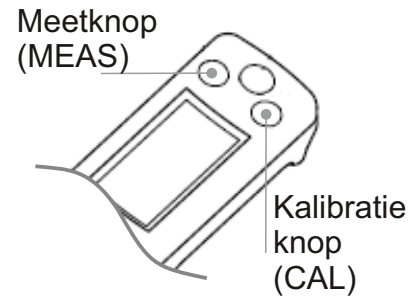
5.5 1-PUNTSKALIBRATIE

- 1 Om de '1-puntskalibratie' in te stellen, schakelt u de meter in en houdt u de knop **MEAS** 3 seconden ingedrukt. Druk op de knop **CAL** tot **CAL** verschijnt.
- 2 Druk nogmaals op de knop **MEAS** en houd deze 0,5 seconden ingedrukt zodat de keuze voor het kalibratietype wordt getoond (1 of 2). Druk op de knop **CAL** om het kalibratietype te wijzigen in 1 en druk nogmaals op **MEAS** om de instelling toe te passen.
- 3 Open de beschermkap en vul de meetcel met een paar druppels van de 1,41 mS/cm standaardoplossing. Door de sensor vooraf te reinigen met de standaardoplossing wordt de kalibratie nauwkeuriger.



5 GEBRUIK VAN DE GELEIDINGSMETER (vervolg)

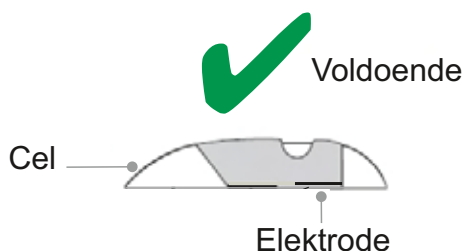
- 4 Sluit de beschermkap en houd de knop **CAL** 2 seconden ingedrukt. **CAL** en ☺ knipperen en de kalibratiewaarde wordt getoond. Nadat de kalibratie is voltooid, stoppen **CAL** en ☺ met knipperen en blijven constant branden.
- 5 Reinig de sensor met kraanwater en droog deze af.
- 6 Houd de knop **MEAS** 0,5 seconden ingedrukt om de meetmodus in te voeren en de meter voor te bereiden voor de meting.



Opmerking: De Elcometer 138 geleidingsmeter heeft ook een 2-puntskalibratiemodus. Zie de volledige gebruikershandleiding van de Elcometer 138 voor meer informatie (te downloaden via de website). Voor de 2-puntskalibratiemodus zijn twee standaardoplossingen nodig.

5.6 EEN METING VERRICHTEN

- 1 Druk op de AAN/UIT-knop om de meter aan te zetten.
- 2 Open de beschermkap en druppel het vloeistofmonster op de sensor.
 - ▶ Vul de meetcel met voldoende testoplossing en voorkom dat deze bellen bevat. Als de oplossing bellen bevat, kan de geleidingsmeting onnauwkeurig zijn.



- 3 Sluit de beschermkap.
 - ▶ Door de omgevingslucht kunnen meetwaarden fluctueren. Om storing vanuit de omgeving te verminderen, dient u de beschermkap te sluiten.

Zonder vergrendeling van de meetwaarde:

- 4 Lees de getoonde meetwaarde af als ☺ verschijnt.



5 GEBRUIK VAN DE GELEIDINGSMETER (vervolg)

Met vergrendeling van de meetwaarde^e:

- 4 Nadat ☺ verschijnt, drukt u 0,5 seconden op de knop **MEAS**. De vergrendelingsfunctie wordt geactiveerd. **MEAS** knippert tot de meetwaarde stabiel is. Als de meetwaarde stabiel is, stopt **MEAS** met knipperen en wordt de getoonde waarde vergrendeld en blijven **MEAS** en ☺ constant branden.
- 5 Lees de getoonde waarde af.
- 6 Houd de knop **MEAS** 0,5 seconden ingedrukt. De vergrendelingsfunctie van de meetwaarde wordt gedeactiveerd en **MEAS** verdwijnt.



Opmerking: Als een meetresultaat buiten het gespecificeerde meetbereik valt, knippert de getoonde meetwaarde.

5.7 NA HET METEN

- 1 Druk op de AAN/UIT-knop om de meter uit te zetten.
- 2 Was de sensor met kraanwater en veeg deze droog met een schone doek.
- 3 Sluit de beschermkap van de sensor.

Opmerking: Gebruik gedemineraliseerd water in plaats van kraanwater als u de meter lange tijd niet gebruikt.

6 VERZORGING & ONDERHOUD

Onder normale bedrijfsomstandigheden zal de Elcometer 138 geleidingsmeter jarenlang betrouwbaar dienst doen.

- Door lange perioden van inactiviteit kan de sensor uitdrogen. Dit kan leiden tot storingen of onstabiele metingen. Schenk bevochtigingsoplossing in de sensorcel en laat die een paar minuten staan zodat de sensor kan verzadigen. Was de sensor met water voordat u de meter gebruikt.
- Reinig de sensor met een verdund, neutraal reinigingsmiddel (100 keer verdund) als het meetvlak van de sensor is verontreinigd of als er regelmatig luchtbelletjes in het vloeistofmonster zitten.

^e Als u de vergrendelingsfunctie gebruikt, dient u vóór elke meting de functie te deactiveren.

6 VERZORGING & ONDERHOUD (vervolg)

- De Elcometer 138 geleidingsmeter heeft een vloeibaar-kristalscherm (lcd). Als het lcd-scherm warmer wordt dan 50°C (120°F), kan het beschadigd raken. Dat kan voorkomen als u de geleidingsmeter achterlaat in een afgesloten auto die vol in het zonlicht staat.
- Berg de onderdelen van de Elcometer 138 Bresle-kit en de patches altijd op in de draagtas als u de kit niet gebruikt.

De Elcometer 138 geleidingsmeter bevat geen onderdelen die de gebruiker zelf kan vervangen. In het onwaarschijnlijke geval dat er zich een probleem voordoet, dient u de meter terug te sturen naar uw lokale Elcometer-leverancier of direct naar Elcometer Limited – contactgegevens kunt u vinden op de website, www.elcometer.com. De garantie vervalt als u het instrument hebt geopend.

7 TECHNISCHE SPECIFICATIES

7.1 BRESLE-PATCH		
Patchgrootte	5 cm x 5 cm	
Testgebied	12,5 cm ²	
Monstervolume	3 ml	
7.2 GELEIDINGSMETER		
Meetprincipe	2 AC bipolaire methode	
Meetmodus	Geleidbaarheid	
Bereik & herhaalbaarheid geleiding	0 - 199 µS/cm	±5 µS/cm
	0,2 - 1,99 mS/cm	±0,05 mS/cm
	2 - 19,9 mS/cm	±0,5 mS/cm
Weergavescherm	Vloeibaar-kristalscherm (lcd); 2½ karakters	
Meettemperatuur	5 °C tot 40 °C (41 °F tot 105 °F)	
Afmetingen	164 x 29 x 20 mm (6,5 x 1,1 x 0,79")	
Gewicht	47 g (1,7 oz.) – inclusief batterijen	
Batterijtype	2 x CR2032 lithium	

8 RESERVEONDERDELEN & ACCESSOIRES

De Elcometer 138 Bresle-kit wordt geleverd met alle onderdelen om metingen te kunnen verrichten. Gedurende de levensduur van de kit moet u wellicht onderdelen vervangen. De volgende items zijn verkrijgbaar bij Elcometer of bij uw lokale Elcometer-leverancier.

8.1 ELCOMETER 138 KALIBRATIE OPLOSSING

Beschrijving	Artikelnummer
Standaard 1,41 mS/cm (1410 µS/cm) kalibratieoplossing; 6 x 14 ml (0,47 fl. oz.) flessen	T13823926
Standaard 12,9 mS/cm (12900 µS/cm) kalibratieoplossing; 6 x 14 ml (0,47 fl. oz.) flessen	T13824404
Standaard 447 µS/cm (0,447 mS/cm) Kalibratieoplossing; 4 x 20ml (0,74fl oz) Eenmalig te gebruiken zakjes	T13827352-1
Standaard 1413 µS/cm (1,413 mS/cm) Kalibratieoplossing; 4 x 20ml (0,74fl oz) Eenmalig te gebruiken zakjes	T13827352-2
Standaard 15000 µS/cm (15 mS/cm) Kalibratieoplossing; 4 x 20ml (0,74fl oz) Eenmalig te gebruiken zakjes	T13827352-3

8.2 BRESLE PATCHES

Beschrijving	Artikelnummer
Elcometer 135B Bresle-patch, pakket van 25 stuks	E135----B
Elcometer 135C Bresle-testpatch, pakket van 25 stuks	E135----C25
Elcometer 135C Bresle-testpatch, pakket van 100 stuks	E135----C100

8.3 OVERIGE ACCESSOIRES

Beschrijving	Artikelnummer
Elcometer 138 geleidingsmeter	T13823925
Reservesensor voor geleidingsmeter	T13823928
Fles gedemineraliseerd water; 250 ml (8,5 fl. oz.)	T13827259
Spuit, 5 ml (0,17 fl. oz.); 3x	T13818517
Naald (stomp); 3x	T13818518
Plastic maatbeker; 30 ml (1 fl. oz.)	T13818519

9 JURIDISCHE KENNISGEVINGEN & WETTELIJKE INFORMATIE

Dit product voldoet aan de Richtlijn Elektromagnetische Compatibiliteit.

CISPR 11 geclassificeerd als Klasse B, Groep 1 ISM apparaat.

Groep 1 ISM producten: producten waarin opzettelijk geleidend gekoppelde radiofrequente energie wordt opgewekt of gebruikt voor de interne werking van het apparaat zelf.

Klasse B producten: zijn geschikt voor gebruik in huishoudens en ruimtes die aangesloten zijn op het openbare laagspanningsnetwerk.

elcometer® is een gedeponeerd handelsmerk van Elcometer Limited, Edge Lane, Manchester, M43 6BU. Verenigd Koninkrijk

Alle andere handelsmerken zijn het eigendom van hun respectievelijke eigenaars.

De Elcometer 138 Bresle-kit & patches wordt verpakt in karton. Zorg ervoor dat de verpakking milieuvriendelijk wordt afgevoerd. Neem contact op met de milieufdeling van uw gemeente voor advies.

WAARSCHUWING



De naalden uit deze kit zijn stomp. Wees desondanks voorzichtig bij afvoer en gebruik van deze naalden om te voorkomen dat u zich per ongeluk prikt. U wordt aangeraden om gebruikte naalden af te voeren als speciaal afval en om deze niet bij het gewone afval te doen.



Was de huid met water als die in aanraking komt met de standaardoplossing voor het kalibreren van de meter. Indien standaardoplossing in de ogen komt, moet u de ogen onmiddellijk spoelen met overvloedig water en medische hulp inroepen.



用户手册

Elcometer 138

Bresle 套装和贴片

目录

部分	页
1 概览	zh-2
2 包装清单	zh-2
3 测试程序：ISO 8502-6 / ISO 8502-9	zh-3
4 测试程序：US Navy PPI 63101-000	zh-5
5 使用电导率计	zh-7
6 维护与保养	zh-12
7 技术规格	zh-13
8 备件和附件	zh-14
9 法律提示 & 法规信息	zh-15



避免疑议, 请参考英文版本.

套装尺寸：346 x 292 x 84mm (13.6 x 11.5 x 3.3")

套装重量：1.1kg (2lb 7oz)

Elcometer 138标准校准溶液的材料安全数据表可通过我们的网站下载：

http://www.elcometer.com/images/stories/MSDS/elcometer_138_b771_calibration_solution.pdf

http://www.elcometer.com/images/stories/MSDS/Calibration_Solution_T13827352-1_to_T13827352-3_EU.pdf

http://www.elcometer.com/images/stories/MSDS/Calibration_Solution_T13827352-1_to_T13827352-3_Americas.pdf

© Elcometer Limited 2009-2016. 公司保留所有权利. 本文献任何部分都不得复制, 传输, 存储(在检索或其他), 或者在没有Elcometer Limited事先书面许可的情况下以任何方式(电子, 机械, 磁性, 光学, 手动或其他)译成任何语言.

1 概览

Elcometer 138 Bresle 套装和贴片提供所有需要确定表面氯化物污染水平的材料和设备。

氯化物盐是由使用Bresle贴片方法从表面取出，测试溶液中的氯化物含量，使用电导率计测定。

这些指令包括两个测试方法：

- ISO 8502-6 / ISO8502-9
- US NAVY PPI 63101-000 (Rev 27)

Elcometer 138 Bresle 套装和贴片也可以按照ISO8502-11使用；AS3894.6-A和SSPC Guide 15

对于IMO PSPC^a，表面的盐应该测量和记录。Elcometer 138 Bresle 套装和贴片可以用于此。

2 包装清单

- Elcometer 135B Bresle贴片, 一包25个或
Elcometer 135C Bresle测试贴片, 一包25个
(视套装订购)
- Elcometer 138 电导率计 & 传感器
- 标准校准溶液1.41 mS/cm; 14ml (0.47 fl oz)
- 润湿溶液; 14ml (0.47 fl oz)
- 一瓶纯净水; 250ml (8.5 fl oz)
- 注射器, 5ml (0.17 fl oz); x3
- 针头(钝); x3
- 塑料杯; 30ml (1 fl oz)
- CR2032 锂电池; x2
- 手提箱
- 用户使用指南

注: 包括在检验套装的易高138电导率仪测量水溶液的电导率。该测量仪没有设计用于测量固体, 有机溶剂, 表面活性剂, 油, 粘合剂, 酒精, 强酸(pH值: 0到2)或强碱(pH值: 12~14)。如果测定这些物质, 传感器的使用寿命将是非常短的。

^a 国际海事组织, 性能标准供保护涂层

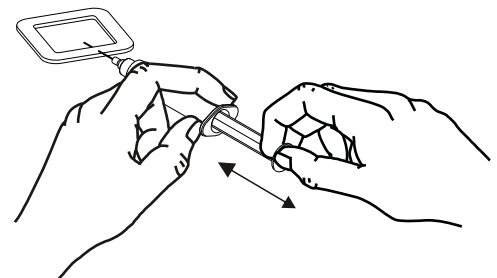
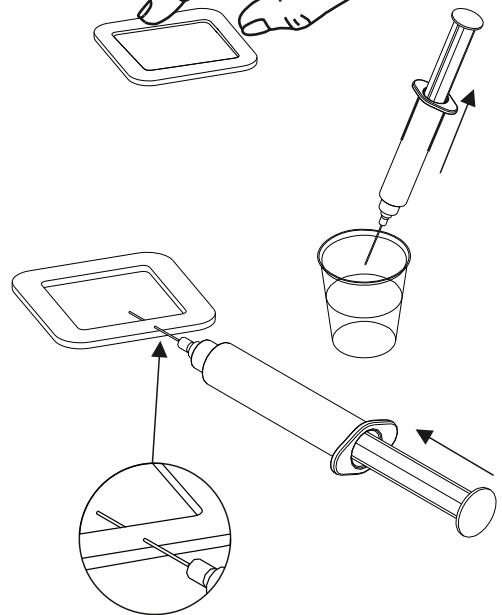
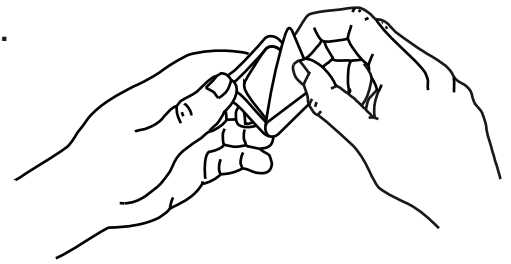
3 测试程序：ISO 8502-6 / ISO 8502-9

3.1 在你开始之前

- 1 校准电导率计, 见第zh-10页5.5节.
- 2 由于测试是极其敏感的, 提取可溶性盐的过程中, 干净的乳胶或丁腈手套应该戴上, 以防止表面污染.

3.2 测试程序

- 1 从Bresle贴片取出打印保护背和泡沫中心.
- 2 在表面贴上贴片, 按紧围绕贴片的周边, 以确保完全密封. 使用易高135CBresle测试贴片, 使用橙色突片取下透明保护膜盖.
- 3 用3ml纯水填入注射器.
- 4 通过海绵泡沫周长以大约30°到测试面的角度, 将注射器插入贴片, 使其穿过泡沫到由弹性体膜和测试表面上形成的隔室. 如果贴片被定位在困难的位置, 根据需要弄弯针.
- 5 注入纯净水进入贴片. 不要取下针头.
 - ▶ 如果需要的话, 任何空气可被抽空到注射器和允许留在注射器水之上. 注意不要在步骤6和7重新插入空气.
- 6 在一段合适的时间^b, 无需取出针, 吸和重新注入该溶液至少四次^c.

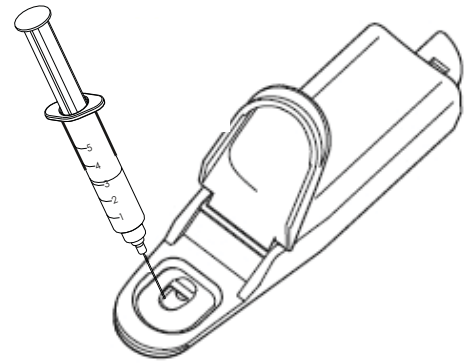


^b 在没有凹坑喷砂清理后的区域, 10分钟内被发现是令人满意的, 但此时有关各方应商定.

^c 在步骤6和7, 至关重要是没有溶液将丢失. 如果任何溶液丢失, 测试将被拒绝.

3 测试程序：ISO 8502-6 / ISO 8502-9 (续前节)

- 7 在该期间结束时,尽可能多提取溶液和从贴片取出注射器^c.
- 8 使用易高138电导率仪测量溶液的电导率, 请参阅第zh-11页的第5.6节. 直接注入样品到传感器元件. 在进行测量之前, 与将被测量的溶液冲洗传感器元件数次.



3.3 测试结束后

- 1 记录该溶液的温度.
- 2 从表面去除贴片和清洁表面. 如果需要的话, 从留在测试表面上贴片任何粘合剂残余物, 可通过用蘸有合适溶剂的布擦拭除去. 确保溶剂不会在使用前损伤表面.
- 3 使用新鲜的纯净水冲洗检验套装的所有组件, 除贴片外. 组件然后可再次使用.

3.4 计算盐的表面密度

由下列因素之一乘以读数:

	盐的表面密度：因素 ^d			
	ISO Salt Mix		IMO PSPC equivalent NaCl	
读数	mg/m ²	µg/cm ²	mg/m ²	µg/cm ²
µS/cm	x1.2	x0.12	x1.1	x0.11

注: ISO8502-9允许纯水在试验前进行测量, 然后从在3.2节步骤8上述中获得的值减去该值。

^c 在步骤6和7, 至关重要是没有溶液将丢失. 如果任何溶液丢失, 测试将被拒绝.

^d 基于12.5cm²的面积和3ml容量

4 测试程序：US Navy PPI 63101-000

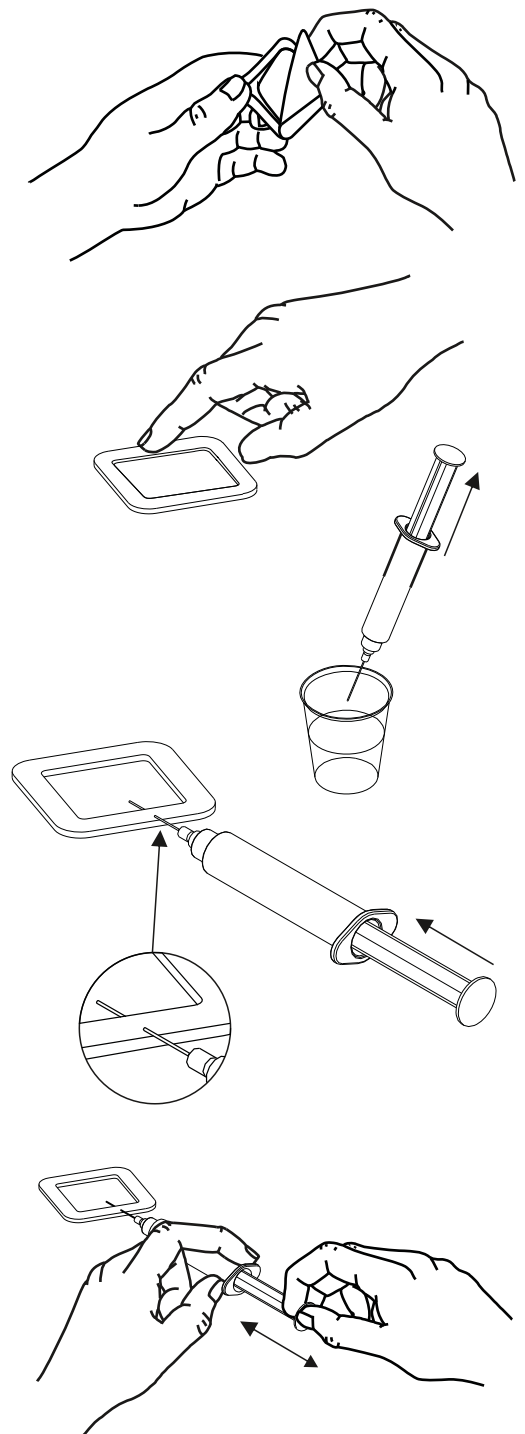
4.1 在你开始之前

- 1 校准电导率计, 见第zh-10页5.5节.
- 2 由于测试是极其敏感的, 提取可溶性盐的过程中, 干净的乳胶或丁腈手套应该戴上, 以防止表面污染.

4.2 测试程序

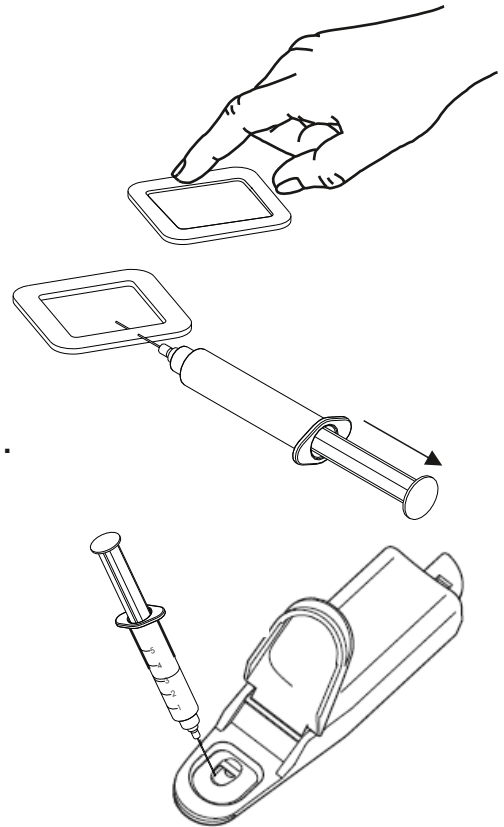
测量是随机地在所制备的表面做出. 五个测量应在每90m² (1000ft²)采取. 五个测量应在面积小于90m² (1000ft²)采取.

- 1 从Bresle贴片取出打印保护背和泡沫中心.
- 2 在表面贴上贴片, 按紧围绕贴片的周边, 以确保完全密封. 使用易高135CBresle测试贴片, 使用橙色突片取下透明保护膜盖.
- 3 用3ml纯水填入注射器.
- 4 通过海绵泡沫周长, 将注射器插入贴片, 注入1.5ml纯水进入贴片. 不要取出注射器.
- 5 随着注射器仍然在贴片, 重新定位针和撤空在贴片的空气.
- 6 一旦空气已被去除, 注入剩余1.5ml的纯水.
- 7 从贴片取出注射器.



4 测试程序：US Navy PPI 63101-000 (续前节)

- 8 擦贴片的表面轻轻10到15秒, 以允许水溶解表面污染物.
- 9 通过海绵泡沫周长, 将注射器插入贴片, 并从贴片提取溶液.
- 10 使用易高138电导率仪测量溶液的电导率, 请参阅第zh-11页的第5.6节. 直接注入样品到传感器单元. 在进行测量之前, 与将被测量的溶液冲洗传感器元件数次.



4.3 测试结束后

- 1 记录该溶液的温度.
- 2 从表面去除贴片和清洁表面. 如果需要的话, 从留在测试表面上贴片任何粘合剂残余物, 可通过用蘸有合适溶剂的布擦拭除去. 确保溶剂不会在使用前损伤表面.
- 3 使用新鲜的纯净水冲洗检验套装的所有组件, 除贴片外. 组件然后可再次使用.

4.4 通过/失败准则

对于浸泡应用, 电导率因可溶性盐 (总离子) 不得超过 $30\mu\text{S}/\text{cm}$.

对于非浸泡应用, 电导率因可溶性盐不得超过 $70\mu\text{S}/\text{cm}$.

注: 由美国海军制作的氯化物含量计算的图表, 不需要用于此测试方法. 如果您需要这些图表的副本, 请联系易高或当地易高的供应商.

5 使用电导率计

5.1 警戒

- 不要跌落电导率仪.
- 千万不要过分用力打开仪器(更换电池或传感器).
- 不要在传感器上过分施加不适当的力.
- 不要让餐具 (镊子 , 吸管等) 触摸传感器元件.
- 不要测量高于40°C (105°F) 热样品.
- 不要让溶剂接触.
- 不要让电导率仪受到高温或潮湿.
- 虽然产品是防水 , 避免完全浸入. 如果仪器不小心掉入水中 , 把它拿出来去除水分.

5.2 装配电池

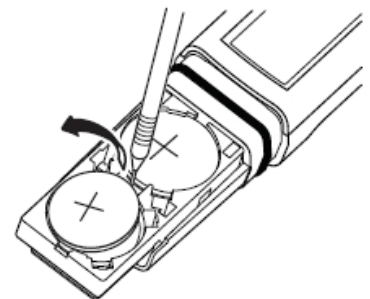
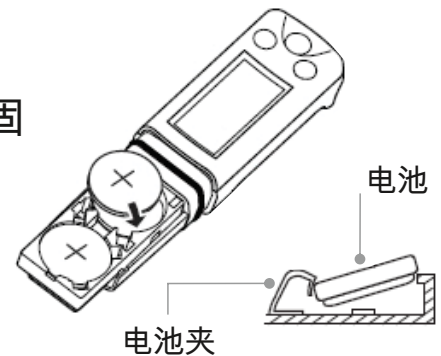
易高138电导率计只使用干电池. 两个CR2032锂电池都在套装中.

要安装或更换电池 :

- 1 安装电池在电池夹 , 确保正确的极性.
- 2 为了组装仪器, 滑动传感器到仪器主体上, 一起轻轻推仪器主体和传感器直到传感器固定夹接合.

当电池电压变低, 低电量警报指示灯将闪烁.
立即更换电池.

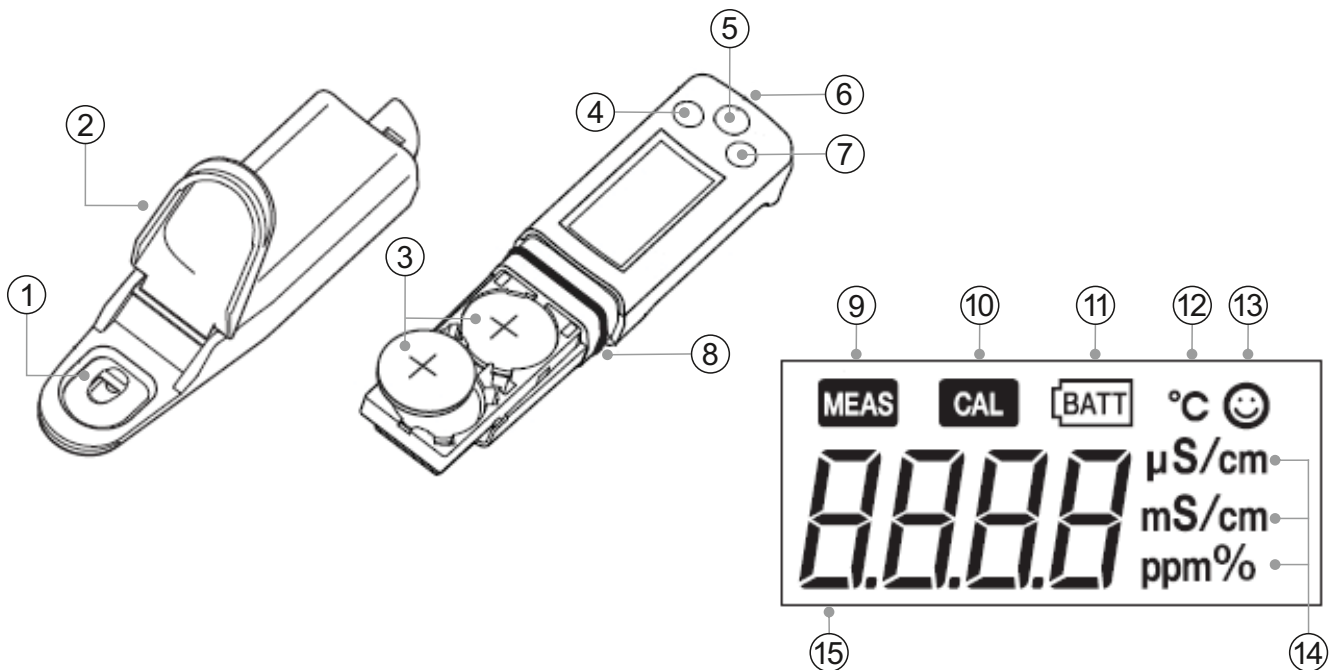
注: 锂电池必须小心处理以防止污染环境. 请咨询当地环境局您所在地区的处置信息. 不要丢弃电池在火中.



5 使用电导率计 (续前节)

5.3 控件和显示屏

易高138电导率计是用3个按钮, 显示读数和LCD屏幕上的其它信息来操作.



指南电导率计和显示指示器

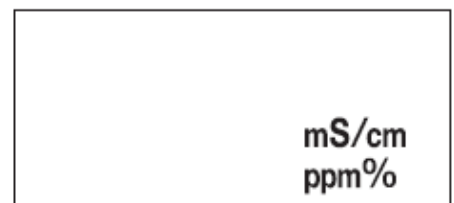
1	测量元件	放置液体样品在这元件中, 位于底部的电极来测量.
2	保护罩	保护在存储中的测量元件和平面传感器.
3	锂电池	CR2032 x 2
4	MEAS 按钮	切换校准模式到测量模式, 在测量模式激活/关闭读取锁定功能和开始/应用设置中的特殊设定模式.
5	ON/OFF 按钮	打开仪器 开/关.
6	腕带孔	腕带可以在此安装
7	CAL 按钮	在特殊设置模式启动校准和切换项目/设置.
8	防水垫片	使得仪器防水.

5 使用电导率计 (续前节)

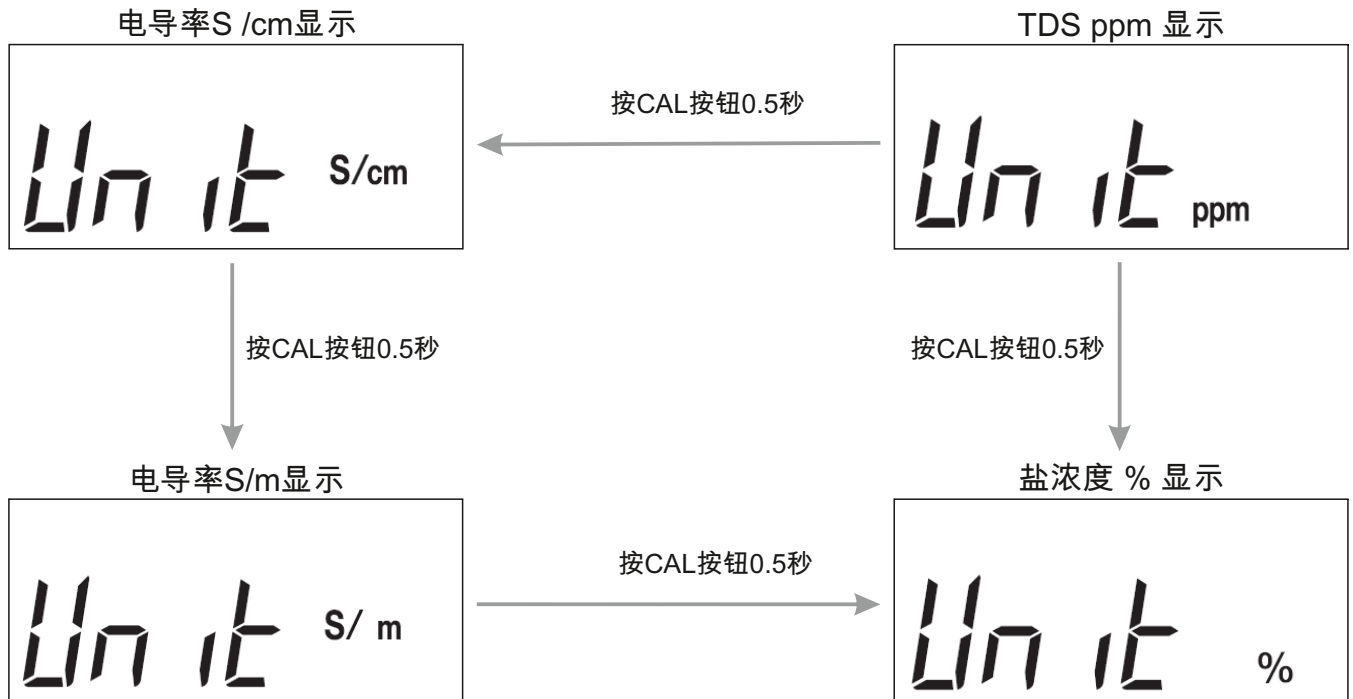
指南电导率计和显示指示器		
9	MEAS图标	闪烁直到所测量的值稳定, 当测量值结算时照亮稳定, 而读取锁定功能正在运行.
10	CAL图标	在校准过程中闪烁, 当校准完成时照亮稳定.
11	电池警报图标	电池电量低和需要更换时照亮.
12	温度警报图标	当测量环境温度未达到规定的5°C到40°C (41°F至105°F) 操作温度时将闪烁.
13	稳定性图标	当测量的值稳定将照亮.
14	测量单位显示	单位符号照亮对应于所述在显示测量值画面(15)上的值. 默认设置为“S/cm”.
15	显示测量值	显示一个测量, 设定和状态值.

5.4 设置测量单位

- 1 在测量模式下, 按住**MEAS**键3秒以上, 进入特殊设定模式。所有项目出现在LCD, 显示的变化如图所示。
- 2 按**MEAS**按钮0.5秒. 显示当前设置.
- 3 按**CAL**按钮0.5秒更改设置. 连续按**CAL**按钮, 更改设置顺序(见第zh-10页图).
- 4 按**MEAS**按钮使设置生效. 仪器返回到测量模式.

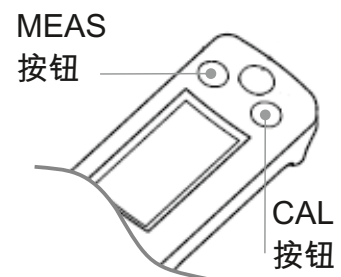


5 使用电导率计 (续前节)



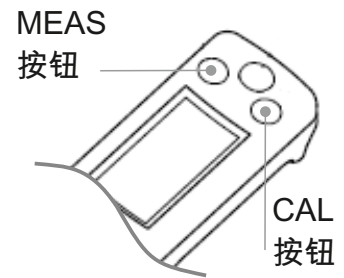
5.5 单点校准

- 1 要设置“单点校准”，开启仪器，按住**MEAS**按钮3秒钟。按**CAL**按钮直到 **CAL** 出现。
- 2 再次按下**MEAS**按钮0.5秒，校准类型将被显示(1或2)。按**CAL**按钮更改为1，再次按下**MEAS**来应用更改设置。
- 3 打开保护罩，滴几滴1.41mS/cm的标准溶液到测量元件。事先使用标准溶液洗涤传感器，可以提供更准确的校准。



5 使用电导率计 (续前节)

- 4 合上保护罩, 按下**CAL**按钮超过2秒钟. **CAL**和 😊 闪烁然后显示校准值. 校准完成后, **CAL**和 😊 停止闪烁后稳定发亮.
- 5 用自来水清洁传感器和除去水分.
- 6 按**MEAS**按钮0.5秒, 进入测量模式和准备做测量.



注：易高138电导率仪具有两点校准模式. 有关详细信息, 请参阅易高138操作说明, 可以通过我们的网站下载. 两点校准模式需要两个标准溶液.



5.6 采取读数

- 1 按ON / OFF按钮, 来开启仪器.
- 2 打开保护盖和放置几滴样品到传感器.
 - ▶ 把适量测试样品放入测量元件, 避免气泡的混入. 在溶液中的气泡可能会导致电导率测量不准确.



- 3 关上防护罩.

▶ 环境空气可能引起测量值的波动. 为了减少环境干扰, 关合上防护罩.

不使用读数锁定功能：

- 4 当 😊 出现时, 阅读显示的值.



5 使用电导率计 (续前节)

当使用读数锁定功能[°]:

- 4 当 😊 出现时, 按下 **MEAS** 按钮 0.5 秒. 读数锁定功能被激活. **MEAS** 闪烁直到测量值稳定. 当测量值是稳定的, **MEAS** 停止闪烁, 显示值锁定 **MEAS** 和 😊 稳定亮起.
- 5 阅读显示的值.
- 6 按 **MEAS** 按钮 0.5 秒. 读数锁定功能被禁用, **MEAS** 消失.



注: 如果测量结果超出规定的测量范围, 显示的测量值闪烁.

5.7 测量后

- 1 按 ON / OFF 按钮, 来关闭仪器.
- 2 用自来水清洗传感器, 并用干净的纸巾擦去残留的水.
- 3 更换传感器保护帽.

注: 如果仪器保持不使用很长一段时间, 使用纯水而不是自来水清洗传感器.

6 维护与保养

易高138电导率仪在正常工作条件下被设计给多年可靠的服务.

- 非使用延长周期可以导致传感器干掉. 这可能会导致故障或不稳定的读数. 倒入润湿溶液到传感器元件, 并留下几分钟以使传感器变得饱和. 在使用前用水冲洗传感器.
- 如果传感器的测量表面被污染, 或者如果气泡经常存在于样品中, 用稀释的中性洗涤剂(稀释100倍)清洁传感器.

[°] 当使用读数锁定功能, 开始每次测量之前关闭功能.

6 维护与保养 (续前节)

- 易高138电导率计采用了液晶显示器. 如果显示器加热到高于50°C(120°F)时, 它可能会损坏. 这可发生的, 如果电导率计留在停放在强烈的阳光下的汽车.
- 当套装不被使用时, 始终存放易高138Bresle 套装和贴片的组件在手提箱里.

易高138电导率计不包含任何用户可用的维修部件. 在故障等意外情况时, 仪器应返回到本地易高的供应商, 或直接到易高有限公司 - 联系方式可以在我们的网站www.elcometer.com找到. 如果仪器已经打开, 保修将失效.

7 技术规格

7.1 BRESLE 贴片	
贴片尺寸	5cm x 5cm
测试区	12.5cm ²
样品量	3ml

7.2 电导率计		
测量原理	2 AC双极方法	
测量模式	电导率	
电导率范围和可重复性	0~199µS/cm	±5µS/cm
	0.2~1.99mS/cm	±0.05mS/cm
	2~19.9mS/cm	±0.5mS/cm
显示	液晶显示器 (LCD) ; 2.5数字	
测量温度	5°C~40°C (41°F~105°F)	
尺寸	164 x 29 x 20mm (6.5 x 1.1 x 0.79")	
重量	47g (1.7 oz) - 包括电池	
电池类型	2×CR2032锂	

8 备件和附件

易高138 Bresle套装配有所需的所有部件即可开始和进行测量,然而在套装的使用寿命中,可能需要更换部件.以下部件可从易高或当地易高的供应商供应.

8.1 ELCOMETER 138 校准溶液

描述	部件编号
标准1.41mS/cm(1410 μ S/cm)校准溶液; 6 x 14ml (0.47fl oz) 瓶子	T13823926
标准12.9mS/cm(12900 μ S/cm)校准溶液; 6 x 14ml (0.47fl oz) 瓶子	T13824404
标准 447 μ S/cm (0.447 mS/cm) 校准溶液; 4 x 20ml (0.74fl oz) 一次性使用袋	T13827352-1
标准 1413 μ S/cm (1.413 mS/cm) 校准溶液; 4 x 20ml (0.74fl oz) 一次性使用袋	T13827352-2
标准 15000 μ S/cm (15 mS/cm) 校准溶液; 4 x 20ml (0.74fl oz) 一次性使用袋	T13827352-3

8.2 BRESLE 贴片

描述	部件编号
Elcometer 135B Bresle贴片,一包25个	E135----B
Elcometer 135C Bresle测试贴片,一包25个	E135----C25
Elcometer 135C Bresle测试贴片,一包100个	E135----C100

8.3 其他附件

描述	部件编号
Elcometer 138 电导率计	T13823925
更换传感器给电导率仪	T13823928
一瓶纯净水; 250ml (8.5 fl oz)	T13827259
注射器, 5ml (0.17 fl oz); x3	T13818517
针头(钝); x3	T13818518
塑料杯; 30ml (1 fl oz)	T13818519

9 法律提示 & 法规信息

本产品符合电磁兼容指令。

根据CISPR 11, 该产品是B级, 第1组ISM设备。

第1组ISM产品: A类产品产生的/或使用的导电耦合射频能量, 是设备内部本身运作所必需的。

B级产品: 为国内机构所使用, 直接连接到为住宅用的建筑物提供的低压供电网络。

elcometer® 是Elcometer公司的注册商标, Edge Lane, 曼彻斯, M43 6BU, 英国。

所有商标也都得到注册许可。

易高138 Bresle套装和贴片被装在一个纸箱包装。请确保此包装在一个环境敏感的方式进行处理。请咨询当地环境局为进一步指导。

警戒



此套件提供的针是钝的, 但必须注意, 当使用和处置这些针, 以防止这些针意外的刺伤. 建议使用过的针将按照特殊废弃物处理, 而不是在垃圾填埋场。



如果用于仪器的校准标准溶液接触皮肤, 用清水冲洗皮肤。如果标准溶液接触到眼睛, 请立即用大量的清水冲洗眼睛并就医。



ユーザーガイド

Elcometer 138

ブレスルキット

セクション	ページ
1 概要	jp-2
2 梱包内容	jp-2
3 検査方法：ISO 8502-6またはISO 8502-9準拠	jp-3
4 検査方法：米国海軍PPI 63101-000準拠	jp-5
5 伝導率計の使用	jp-7
6 メンテナンス	jp-12
7 仕様	jp-13
8 交換部品とアクセサリ	jp-14
9 関連する法律と規制について	jp-15



不明な点がある場合は、英語版の取扱説明書を確認してください。

寸法：346x292x84mm（13.6x11.5x3.3インチ）

重量：1.1kg（2ポンド7オンス）

Elcometer 138校正用標準液のセーフティデータシートは、下記ホームページからダウンロード可能です：

http://www.elcometer.com/images/stories/MSDS/elcometer_138_b771_calibration_solution.pdf

http://www.elcometer.com/images/stories/MSDS/Calibration_Solution_T13827352-1_to_T13827352-3_EU.pdf

http://www.elcometer.com/images/stories/MSDS/Calibration_Solution_T13827352-1_to_T13827352-3_Americas.pdf

© Elcometer Limited 2009-2016. All rights reserved. の文書の一部または全部を、Elcometer Limitedの事前の書面による許可なく、いかなる形式や方法（電子的、機械的、磁氣的、工学的、手動を問わず）によっても、複製、転送、保管（検索可能なシステムかどうかを問わず）、または他の言語に翻訳することを禁じます。

1 概要

Elcometer 138ブレスルキットには、表面の塩化物による汚染度を判定するのに必要な器具と消耗品がすべて揃っています。

表面に付着している塩化物をブレスルパッチで採取し、伝導率計で塩分濃度を測定します。

この説明書に記載されている検査法は、次の2つの規格に準拠しています。

- ISO 8502-6 / ISO8502-9
- US NAVY PPI 63101-000 (Rev 27)

Elcometer 138ブレスルキットは、ISO 8502-11、AS 3894.6-A、および SSPC Guide 15にも適合しています。

IMO PSPC^aを満たすには、表面の塩分濃度を測定して記録する必要があります。Elcometer 138ブレスルキットを使用して、この基準を満たす検査を実施できます。

2 梱包内容

- Elcometer 135Bブレスルパッチ25枚、または
Elcometer 135Cブレスルテストパッチ25枚
(注文したキットによって異なります)
- Elcometer 138伝導率計 (センサー付き)
- 1.41mS/cmの校正用標準液14ml (0.47オンス)
- 湿潤液14ml (0.47オンス)
- 蒸留水250ml (8.5オンス) 入りボトル
- 5ml (0.17オンス) の注射器3本
- 先の丸い注射針3本
- 30ml (1オンス) のプラスチック製ビーカー
- CR2032リチウム電池2個
- キャリーケース
- ユーザーガイド

注: ブレスルキットに含まれているElcometer 138伝導率計は、水溶液の伝導率測定専用です。個体、有機溶剤、界面活性剤、オイル、接着剤、アルコール、強酸 (pH 0~2)、強アルカリ (pH 12~14) を測定するには作られていません。このような試料を測定すると、センサーがすぐに機能しなくなります。

^a International Maritime Organisation, Performance Standard for Protective Coatings (国際海事機関の塗装性能基準)

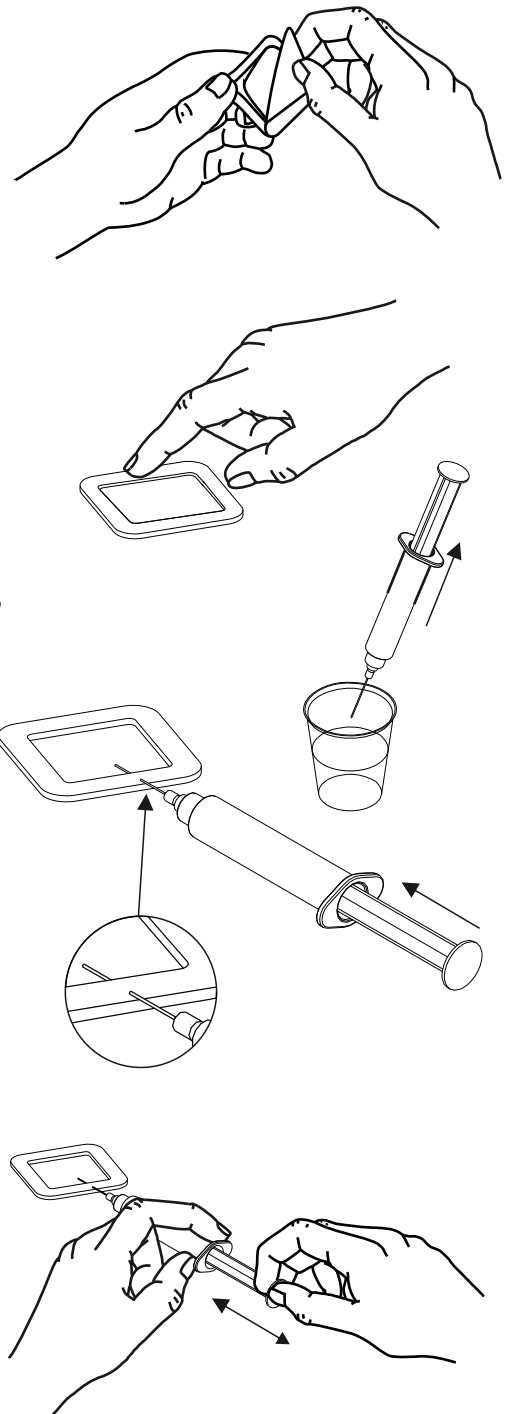
3 検査方法：ISO 8502-6またはISO 8502-9準拠

3.1 測定を始める前に

- 1 伝導率計を校正します（jp-10ページのセクション5.5を参照）。
- 2 表面の清浄性検査は、非常に敏感な検査です。水溶性塩分抽出時には、必ず、清潔なゴム手袋かニトリル手袋を着用し、表面が汚染されるのを防いでください。

3.2 試験手順

- 1 ブレスルパッチの裏面の台紙と内側の発泡材を取り除きます。
- 2 まず、パッチの角を貼り付け、パッチの枠を試験面にしっかり押し付けて密着させます。Elcometer 135Cブレスルテストパッチを使用する場合は、オレンジ色のタブを使って保護フィルムを取り除きます。
- 3 注射器に蒸留水を3ml吸い上げます。
- 4 試験面に対して約30°の角度で、注射針をパッチの枠のスポンジに刺します。このとき、スポンジを貫通させて、パッチのゴム膜と試験面の隙間に注射針の先端が届くようにします。パッチを貼り付けた位置によっては、注射針が刺しにくいことがあります。必要に応じて、注射針を曲げてください。
- 5 蒸留水をパッチに注入します。この時点では、まだ注射針を抜きません。
 - ▶ 必要に応じて、パッチ内の空気を注射器に吸い込ませ、注射器内で蒸留水の上に留まらせておきます。手順6と7で、この空気をパッチ内に押し戻さないように注意してください。
- 6 適切な時間[°]の間、パッチ内の溶液を注射器に吸い上げ、またすぐに押し戻します。このピストンの往復を少なくとも4回繰り返します[°]。

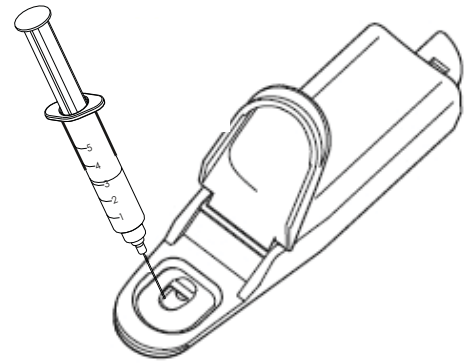


[°] ブラスト洗浄された窪みのない面では、10分が妥当です。ただし、試験関係者の同意を得てください。

[°] 手順6と7で、液漏れさせないように注意してください。液漏れした場合は、検査が無効になります。

3 検査方法：ISO 8502-6またはISO 8502-9準拠（続き）

- 7 最後にピストンを引くときに、パッチ内の溶液をできるだけ多く吸い上げて、注射器をパッチから引き抜きます。
- 8 Elcometer 138伝導率計を使って、溶液の伝導率を測定します（jp-11ページのセクション5.6を参照）。伝導率計のセンサーのセルに、溶液を直接注入します。セルを溶液で数回すすいでから、伝導率を測定します。



3.3 試験後の処理

- 1 溶液の温度を記録します。
- 2 試験面からパッチを剥がして、試験面をきれいにします。表面に接着剤が残った場合は、適切な溶剤を含ませた布で拭いてください。溶剤で試験面が損傷しないことを確かめてから使ってください。
- 3 パッチ以外の器具をすべてきれいな水で洗浄し、蒸留水ですすぎます。洗浄した器具は、再び使用することができます。

3.4 表面の塩分濃度の計算

読み取り値に、次の表のいずれかの数値を掛け合わせます。

	表面塩分濃度の計算に使用する係数 ^d			
	ISO基準による混合塩分濃度		IMO PSPCに従ったNaCl等価濃度	
読み取り値	mg/m ²	µg/cm ²	mg/m ²	µg/cm ²
µS/cm	x1.2	x0.12	x1.1	x0.11

注：ISO8502-9では、試験の前に純水のみでの伝導率の測定を行い、3.2で行った試験で得られた測定値から純水の測定値をマイナスする事を認めています。

^o 手順6と7で、液漏れさせないように注意してください。液漏れした場合は、検査が無効になります。

^d 表面積12.5cm²、溶液3mlに基づく。

4 検査方法：米国海軍PPI 63101-000準拠

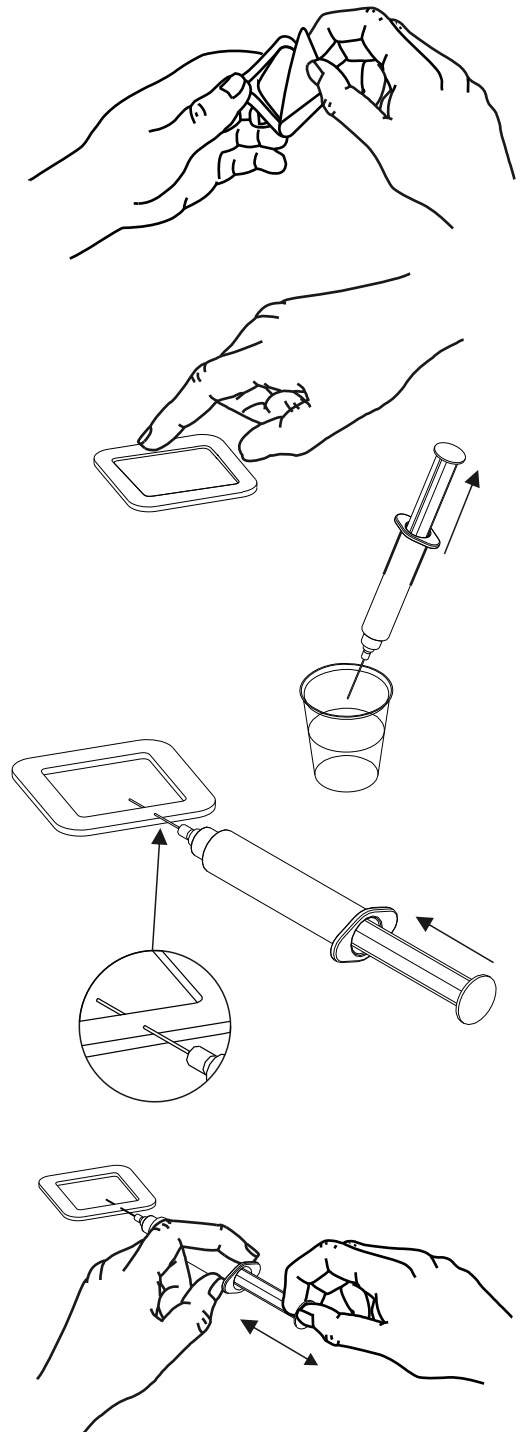
4.1 測定を始める前に

- 1 伝導率計を校正します (jp-10ページのセクション5.5を参照)。
- 2 表面の清浄性検査は、非常に敏感な検査です。水溶性塩分抽出時には、必ず、清潔なゴム手袋かニトリル手袋を着用し、表面が汚染されるのを防いでください。

4.2 試験手順

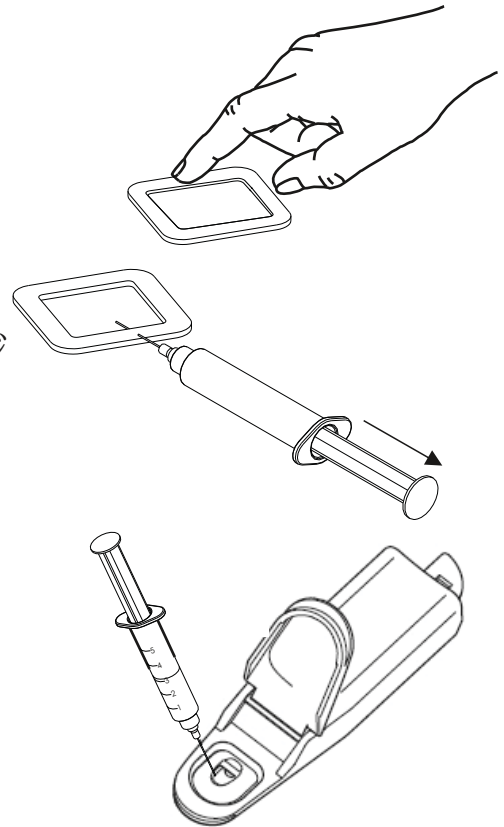
試験面の無作為に選んだ場所を測定します。試験面 90m^2 (1000ft^2)あたり、5か所測定します。試験面が 90m^2 (1000ft^2)より小さい場合は、5か所測定してください。

- 1 ブレスルパッチの裏面の台紙と内側の発泡材を取り除きます。
- 2 まず、パッチの角を貼り付け、パッチの枠を試験面にしっかり押し付けて密着させます。Elcometer 135Cブレスルテストパッチを使用する場合は、オレンジ色のタブを使って保護フィルムを取り除きます。
- 3 注射器に蒸留水を3ml吸い上げます。
- 4 注射針をパッチの枠のスポンジに貫通させ、蒸留水を1.5ml注入します。この時点では、まだ注射針を抜きません。
- 5 注射針の先を蒸留水のないところに動かし、注射器のピストンを引いて空気を吸い上げます。
- 6 空気を取り除いたら、残りの1.5mlをパッチ内に注入します。
- 7 注射器をパッチから引き抜きます。



4 検査方法：米国海軍PPI 63101-000準拠（続き）

- 8 パッチの表面を10～15秒間軽く擦り、試験面の不純物を水に溶かします。
- 9 注射針をパッチの枠のスポンジに貫通させ、パッチ内の溶液を吸い上げます。
- 10 Elcometer 138伝導率計を使って、溶液の伝導率を測定します（jp-11ページのセクション5.6を参照）。伝導率計のセンサーのセルに、溶液を直接注入します。セルを溶液で数回すすいでから、伝導率を測定します。



4.3 試験後の処理

- 1 溶液の温度を記録します。
- 2 試験面からパッチを剥がして、試験面をきれいにします。表面に接着剤が残った場合は、適切な溶剤を含ませた布で拭いてください。溶剤で試験面が損傷しないことを確かめてから使ってください。
- 3 パッチ以外の器具をすべてきれいな水で洗浄し、蒸留水ですすぎます。洗浄した器具は、再び使用することができます。

4.4 検査の合否の判定

塗料に浸して塗装する場合は、表面の水溶性塩の伝導率（無機イオンの総量）は $30\mu\text{S}/\text{cm}$ 以下でなければなりません。

塗料に浸さない場合は $70\mu\text{S}/\text{cm}$ 以下でなければなりません。

注：この検査方法では、米国海軍規格の計算表を用いて、塩化物の量を求める必要はありません。この計算表をご希望の場合は、Elcometerまたは最寄りの代理店にお問い合わせください。

5 伝導率計の使用

5.1 注意

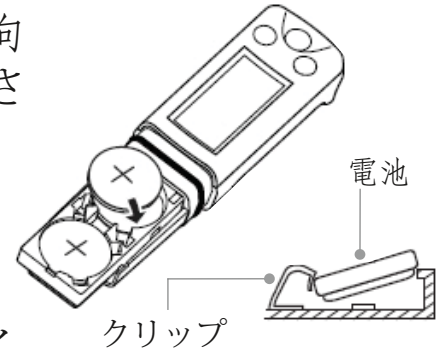
- 伝導率計を落とさないでください。
- 伝導率計を開けるとき（電池やセンサーの交換時等）に、力まかせに引っ張らないでください。
- センサーに無理な力を加えないでください。
- センサーのセルにピンセットやスポイト等で触れないでください。
- 40°C（105°F）以上の試料を測定しないでください。
- 溶剤に接触させないでください。
- 温度や湿度の高い場所で使用しないでください。
- 伝導率計は防水加工されていますが、完全に水に浸すのは避けてください。伝導率計を誤って水の中に落としてしまった場合は、すぐ取り出して、水分を拭き取ってください。

5.2 電池の装着

Elcometer 138伝導率計は、乾電池だけを電源として使用します。プレスルキットには、CR2032リチウム電池が2個付属しています。

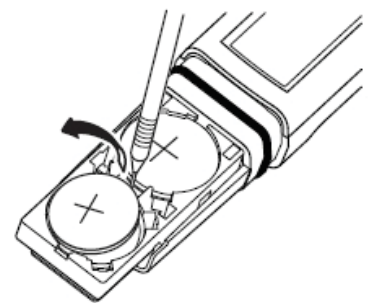
電池を装着するには：

- 1 収納部の窪みに電池を入れます。電池の向き（プラスとマイナス）に注意してください。
- 2 センサー部を本体にゆっくり差し込み、留め具を噛ませます。



電池の残量が少なくなると、本体の電池切れインジケータが点滅します。早めに電池を交換してください。

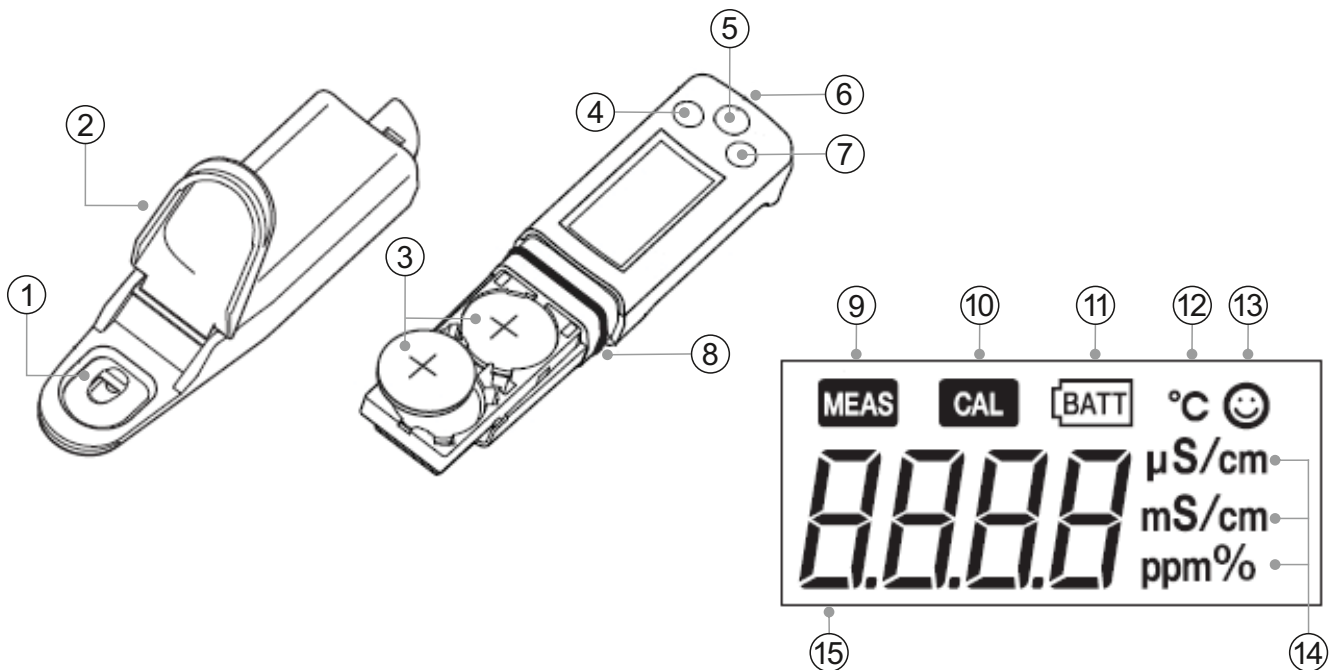
注：リチウム電池を安易に廃棄すると、環境汚染を引き起こします。必ず、地域で決められている廃棄または回収方法に従ってください。電池を火中に投入しないでください。



5 伝導率計の使用（続き）

5.3 伝導率計のボタンと画面

Elcometer 138伝導率計には、操作ボタンが3つ、および読み取り値や他の情報を示すLCD画面が付いています。



伝導率計の各部の名称と画面の説明

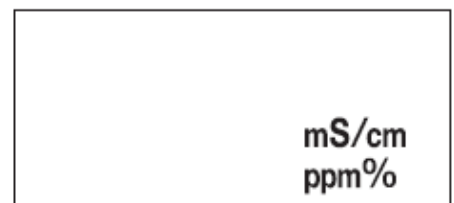
伝導率計の各部の名称と画面の説明		
1	センサーのセル	測定する試料をここに注入します。セルの底に電極があります。
2	保護カバー	センサー部の保護カバー
3	リチウム電池	CR2032コイン電池2個
4	MEASボタン	校正モードから測定モードに切り替えます。測定モードでは、測定値の表示のロック機能をオンまたはオフにします。または、設定モードに切り替えて設定を開始するか、変更した設定を有効にします。
5	電源ボタン	伝導率計の電源をオンまたはオフにします。
6	紐通し輪	下げ紐をここに通します。
7	CALボタン	校正を開始します。設定モードでは、設定する項目を切り替えます。
8	防水パッキン	防水用のシール材です。

5 伝導率計の使用（続き）

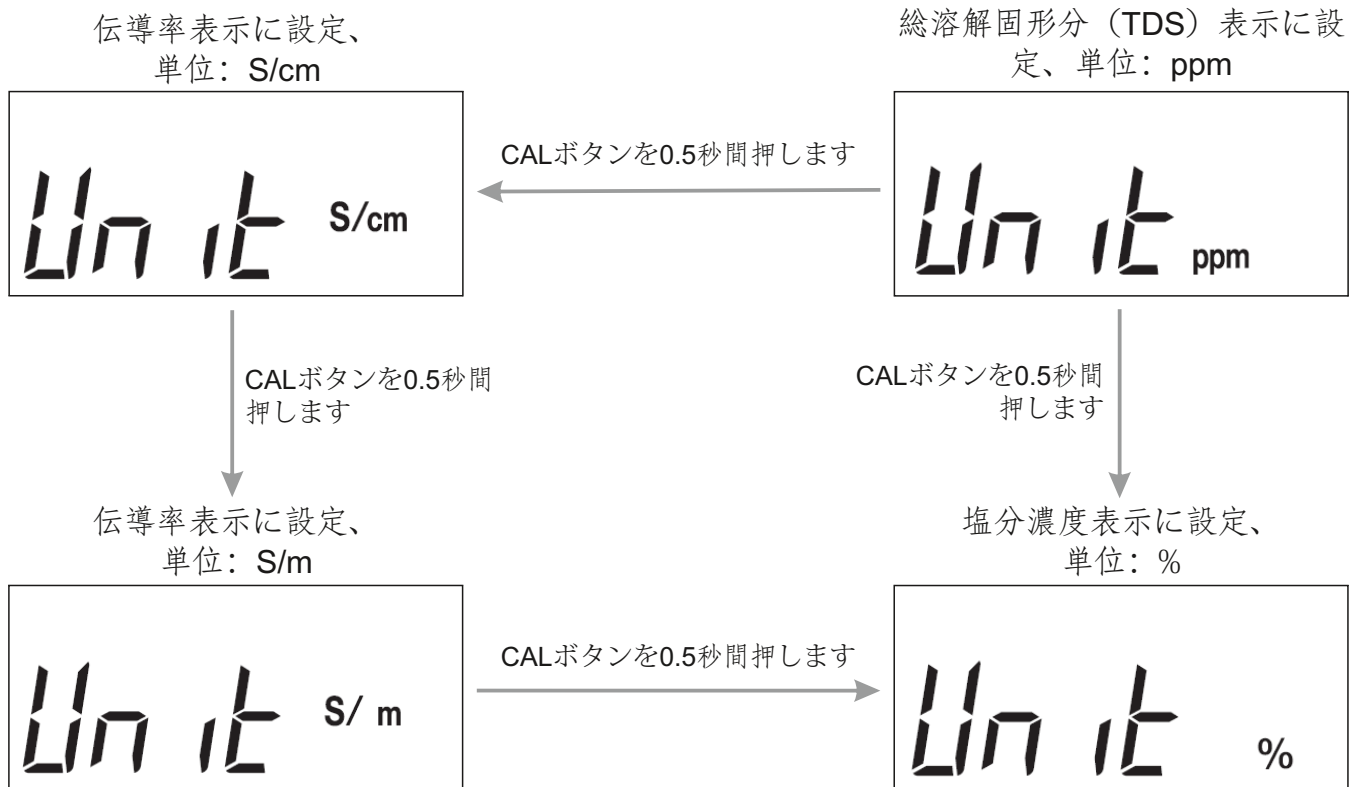
伝導率計の各部の名称と画面の説明		
9	測定アイコン	測定値の表示のロック機能を有効にしている場合に、測定値が不安定な間は点滅し、安定すると点灯したままになります。
10	校正アイコン	校正中に点滅し、校正が終了すると点灯します。
11	電池残量警告アイコン	電池の残量が少なくなり、交換が必要になると点灯します。
12	試料温度警告アイコン	試料の温度が、伝導率計の使用範囲（5～40°C、41～105°F）外の場合に点滅します。
13	測定完了アイコン	測定値が安定すると点灯します。
14	測定単位	左側に表示された値（下記15参照）の単位が点灯します。デフォルトの設定は「S/cm」です。
15	値の表示域	測定値、校正值、または設定値を示します。

5.4 測定単位の設定

- 1 **MEAS** ボタンを3秒以上押して、測定モードから設定モードに切り替えます。LCD画面にすべての項目が表示されてから、画面が右の図のように変わります。
- 2 **MEAS** ボタンを0.5秒間押します。現在の設定が表示されます。
- 3 設定を変更するには、**CAL** ボタンを0.5秒間押します。設定を順番に切り替えるには、**CAL** ボタンを繰り返し押します（jp-10ページの図を参照）。
- 4 **MEAS** ボタンを押して、設定を有効にします。伝導率計が測定モードに戻ります。

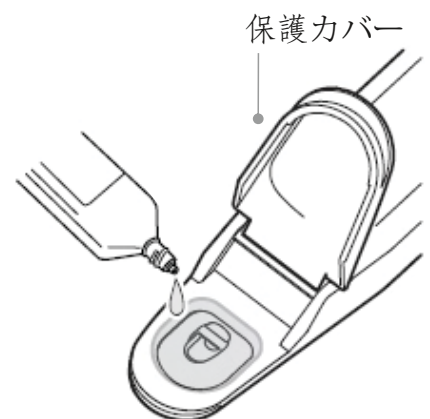


5 伝導率計の使用（続き）



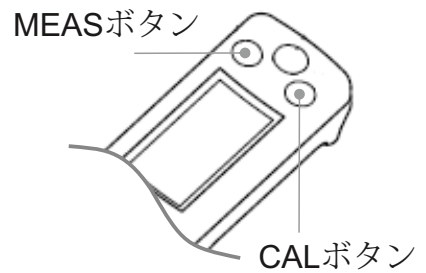
5.5 一点式校正

- 1 一点式校正を行うには、まず、本体の電源を入れ、**MEAS**ボタンを3秒間押します。**CAL**ボタンを **CAL** が表示されるまで押します。
- 2 **MEAS**ボタンを0.5秒間押します。現在の校正方法の設定（1または2）が表示されます。必要に応じて**CAL**ボタンを押し、設定を1に切り替えてから、もう一度**MEAS**ボタンを押して設定を有効にします。
- 3 本体の保護カバーを開き、センサーのセルに校正用標準液（1.41mS/cm）を注入します。次の手順に進む前に、セルを標準液で洗うと、校正値がより正確になります。



5 伝導率計の使用（続き）

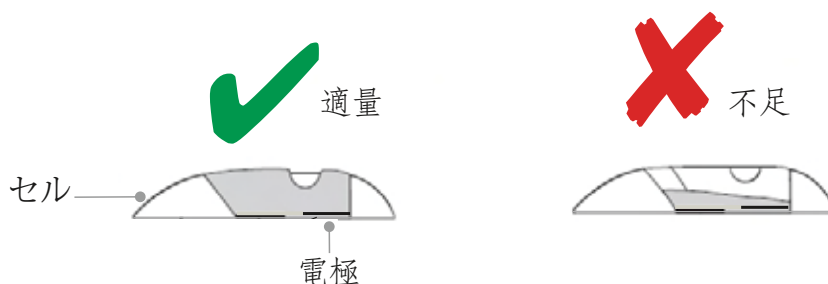
- 4 保護カバーを閉じ、**CAL**ボタンを2秒間押しします。**CAL**と☺が点滅し、校正値が表示されます。校正が完了したら、**CAL**と☺が点灯したままになります。
- 5 センサーを水道水で洗い、残った水を取り除きます。
- 6 **MEAS**ボタンを0.5秒間押しして測定モードに切り替え、測定準備にとりかかります。



注：Elcometer 138伝導率計は、二点式で校正することもできます。詳しくは、Elcometer 138の取扱説明書を参照してください。取扱説明書は、ElcometerのWebサイトからダウンロードできます。二点式で校正するには、標準液が2つ必要です。

5.6 測定

- 1 本体の電源ボタンを押して、電源を入れます。
- 2 保護カバーを開き、センサーのセルに試料を注入します。
 - ▶ 試料を泡立たせないようにして、適量注入してください。気泡が入っていると、測定値が不正確になる可能性があります。



- 3 保護カバーを閉じます。
 - ▶ 周囲の空気によって、測定値が変動する場合があります。環境の影響を受けないように、保護カバーを閉じてください。

測定値の表示のロック機能を使用しない場合：

- 4 画面に☺が表示されたら、測定値を読み取ります。



5 伝導率計の使用（続き）

測定値の表示のロック機能を使用する場合^o:

- 4 画面に ☺ が表示されたら、**MEAS** ボタンを0.5秒間押します。測定値の表示のロック機能が有効になります。測定値が安定するまで **MEAS** が点滅を続けます。測定値が安定したら、**MEAS** の点滅が止まります。画面に測定値が表示されたままにな、**MEAS** と ☺ が点灯します。
- 5 表示された測定値を読み取ります。
- 6 測定ボタンを0.5秒間押します。測定値の表示のロック機能が解除され、**MEAS** が消えます。



注：測定値が、指定した範囲外の場合は、表示された値が点滅します。

5.7 測定が終わったら

- 1 本体の電源ボタンを押して、電源を切ります。
- 2 センサーを水道水で洗い、残った水を清潔なティッシュで拭き取ります。
- 3 センサーの保護カバーを閉じます。

注：今後、伝導率計を長期間使用しない場合は、水道水ではなく蒸留水で洗ってください。

6 メンテナンス

Elcometer 138伝導率計は、通常の使用条件下で長い耐用年数を持ち、信頼性の高い測定値を得られるように設計、製造されています。

- 伝導率計を長期間使用しないままにしておくと、センサーが乾燥し、正しく機能しなかったり、測定値が不安定になったりすることがあります。そのため、伝導率計を使用する前に、センサーのセルに湿潤液を満たし、数分間そのままにしてセンサーを湿潤させます。センサーを水で洗ってから、測定を開始してください。
- センサーの測定面に不純物が付着した場合や、注入した試料に常に気泡が入るようになった場合は、中性洗剤を100倍に希釈した液でセンサーを洗ってください。

^o 測定値の表示のロック機能を使用している場合は、必ずロックを解除してから、次の測定に移ってください。

6 メンテナンス（続き）

- Elcometer 138伝導率計には、液晶画面（LCD）が付いています。50°C（120°F）以上になると、画面が損傷するおそれがあります。例えば、日光の当たる車の中に本体を放置すると壊れる可能性があります。
- Elcometer 138ブレスルキットを使用しない場合は、必ず、すべての内用品を専用の収納ケースに入れて保管してください。

Elcometer 138伝導率計に、お客様が自分で修理できる部分はありません。万一、故障した場合は、購入元の代理店またはElcometerに直接返品してください。連絡先については詳しくは、ElcometerのWebサイト（www.elcometer.com）をご覧ください。お客様が一旦分解した後で返品されると、保証が無効になります。

7 仕様

7.1 ブレスルパッチ	
パッチの寸法	5cm x 5cm
試験面の面積	12.5cm ²
試料の量	3ml

7.2 伝導率計		
測定原理	交流2電極法	
測定モード	伝導率	
測定範囲と繰り返し性	0 - 199 μ S/cm	\pm 5 μ S/cm
	0.2 - 1.99mS/cm	\pm 0.05mS/cm
	2 - 19.9mS/cm	\pm 0.5mS/cm
画面	液晶（LCD）2½桁	
試料の温度	5～40°C（41～105°F）	
本体寸法	164 x 29 x 20mm（6.5 x 1.1 x 0.79インチ）	
重量	47g（1.7オンス）、電池を含む	
電源	CR2032リチウム電池2個	

8 交換部品とアクセサリー

Elcometer138ブレスルキットは、測定を開始するのに必要なものがすべて揃っていますが、測定を繰り返すに従って、部品やアクセサリーの交換が必要になることがあります。次の商品をElcometerまたは最寄りの代理店からお求めいただけます。

8.1 ELCOMETER 138 校正用標準液

説明	コード番号
1.41mS/cm(1410 μ S/cm)の校正用標準液; 14ml(0.47fl oz)入りボトル6本	T13823926
12.9mS/cm(12900 μ S/cm)の校正用標準液; 14ml(0.47fl oz)入りボトル6本	T13824404
447 μ S/cm(0.447mS/cm)の校正用標準液; 20ml(0.74fl oz)入りパウチ4個	T13827352-1
1413 μ S/cm(1.413mS/cm)の校正用標準液 20ml(0.74fl oz)入りパウチ4個	T13827352-2
15000 μ S/cm(15mS/cm)の校正用標準液; 20ml(0.74fl oz)入りパウチ4個	T13827352-3

8.2 ブレスルパッチ

説明	コード番号
Elcometer 135Bブレスルパッチ25枚	E135----B
Elcometer 135Cブレスルテストパッチ25枚	E135----C25
Elcometer 135Cブレスルテストパッチ100枚	E135----C100

8.3 その他のアクセサリー

説明	コード番号
Elcometer 138伝導率計	T13823925
伝導率計用センサー	T13823928
蒸留水250ml (8.5オンス) 入りボトル	T13827259
5ml (0.17オンス) の注射器3本	T13818517
先の丸い注射針3本	T13818518
30ml (1オンス) のプラスチック製ビーカー	T13818519

9 関連する法律と規制について

本製品は、電磁両立性指令に適合しています。

本製品は、CISPR 11規格のグループ1、クラスBのISM装置に当てはまります。

グループ1のISM装置：装置内部の機能で必要とする無線周波エネルギーを意図的に生成したり使用したりします。

クラスBに分類される装置：家庭での使用、および住宅用の低電圧配線網に直接接続される施設での使用に適しています。

elcometer® は、Elcometer Limitedの登録商標です。所在地：Edge Lane, Manchester, M43 6BU, United Kingdom

その他の商標については、その旨が記されています。

Elcometer138プレスルキットは、段ボール箱に梱包されています。包材は、環境保全に配慮した方法で破棄してください。詳しくは、地方自治体等の適切な機関にお問い合わせください。

注意



キットに付属している注射針の先端は丸くなっていますが、注射針の使用時と廃棄時に、誤って手を刺すことのないように、十分注意してください。注射針を廃棄するときは、一般家庭ゴミではなく特殊ゴミに分別することをお勧めします。



伝導率計の校正用標準液が皮膚に付着した場合は、水でよく洗い流してください。標準液が目に入った場合は、直ちに大量の水で洗ってから、医師の診断を受けてください。

